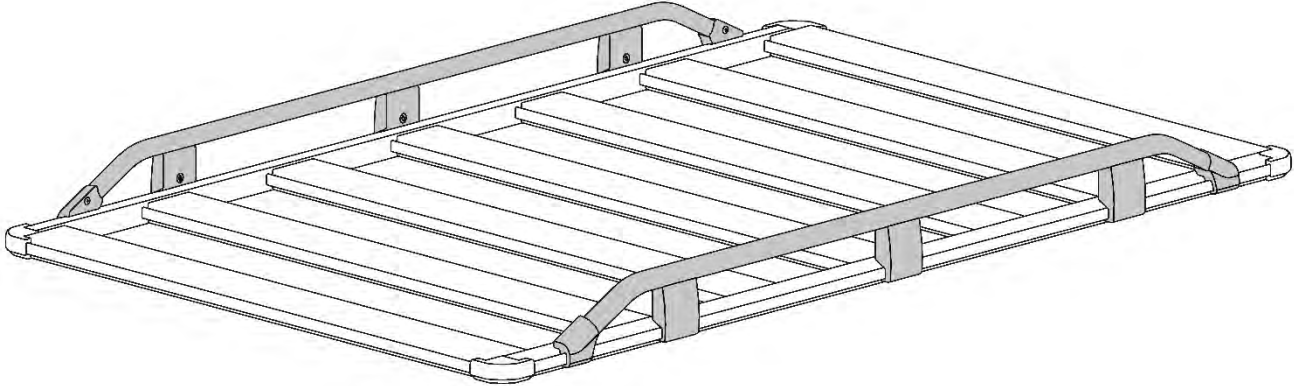


# **ARB** **BASE RACK**

## FITTING INSTRUCTION

### **BASE RACK GUARD RAIL SYSTEM SIDE RAIL KIT**



#### **NOTE THE FOLLOWING:**

- ◆ This product must be installed exactly as per these instructions using only the hardware supplied.
- ◆ For fitment to ARB BASE RACK only, refer to application guide for relevant part numbers
- ◆ This product or its fixing must not be modified in any way.
- ◆ It is recommended that this product is only installed by trained personnel
- ◆ Fitting Guard Rails to BASE RACK prior to vehicle installation may aid assembly
- ◆ During installation, it is the duty of the installer to check correct operation/clearances of all components
- ◆ Work safely at all times
- ◆ Unless otherwise instructed, tighten fasteners to specified torque
- ◆ Fastener torques are to be checked after first 500km and at vehicle service intervals
- ◆ Guard rails are not a rated tie down point. Do not use guard rails for lashing loads

---

## **ARB 4x4 ACCESSORIES**

### Corporate Head Office

42-44 Garden St  
Kilsyth, Victoria  
AUSTRALIA 3137

Tel: +61 (3) 9761 6622  
Fax: +61 (3) 9761 6807

Australian enquiries  
North & South American enquiries  
Other international enquiries

sales@arb.com.au  
sales@arbusa.com  
exports@arb.com.au

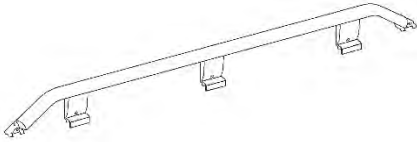
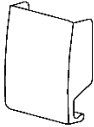

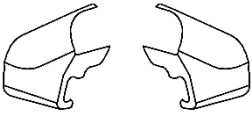




---

**www.arb.com.au**

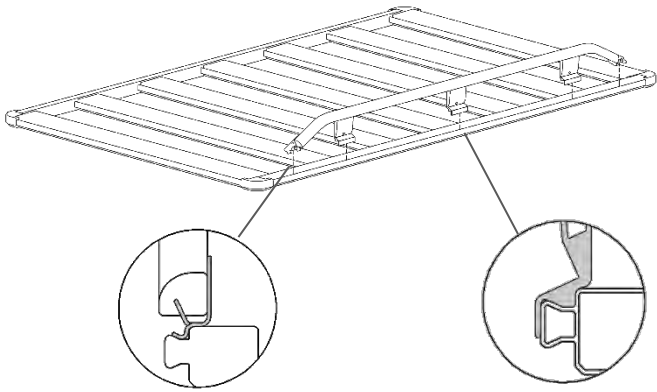
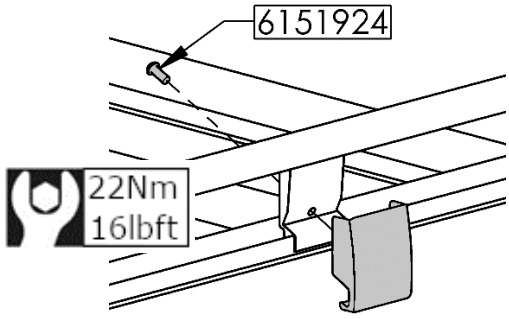
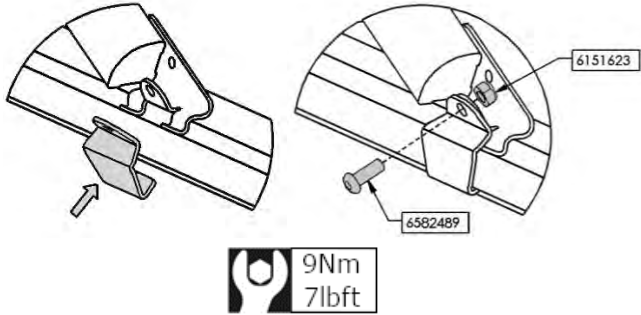
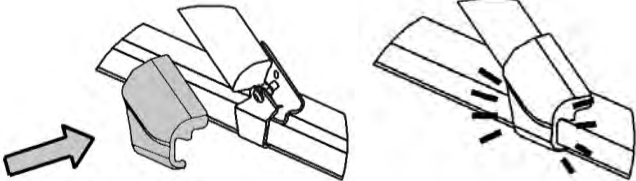
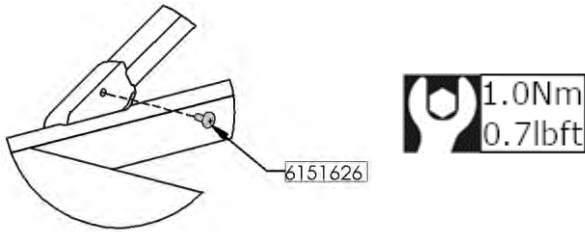
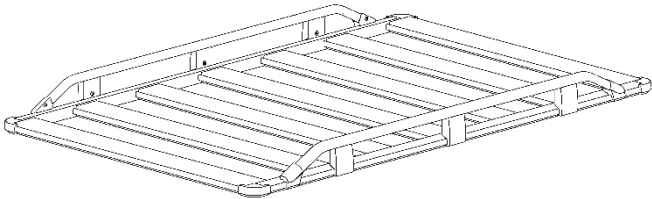
## FITTING REQUIREMENTS

### REQUIRED TOOLS FOR FITMENT OF PRODUCT:

T30 Torx (provided)	Screwdriver Phillips #2
T40 Torx (provided with rack)	10mm Spanner/Wrench

APPLICATION.	PART NO.	QTY.	DESCRIPTION
	-	2	Side Rail
	6582491	6	Cast Upright Clamp
	6582489	4	Clamping Bracket
	3163213R/L (PAIR)	2R/2L	Cover Cap Right/Left
	6151924	6	Torx Screw M8x20mm Black Yellow Patch
	6151623	4	Torx Screw M6x16mm Black Blue Patch
	6151223	4	Nyloc Nut M6 Black
	6151626	4	Screw Self-tapping 4.8(#10)x16mm

## FITTING PROCEDURE

	<ol style="list-style-type: none"> <li>1. Lower rails on to the rack</li> <li>2. Ensure the uprights and end brackets are locked in to BASE RACK dovetail as shown</li> </ol>
	<ol style="list-style-type: none"> <li>3. Fit cast clamp over upright. Secure with an M8x20 Torx screw</li> <li>4. Repeat for all uprights</li> </ol>
	<ol style="list-style-type: none"> <li>5. Fit the clamping bracket over the rack and end bracket</li> <li>6. Secure with M6x16 Torx screw and M6 Nut</li> </ol>
	<ol style="list-style-type: none"> <li>7. Snap fit the cover cap</li> </ol>
	<ol style="list-style-type: none"> <li>8. Secure the cover cap with self-tapping screw</li> <li>9. Repeat steps 5-8 for all caps</li> <li>10. Repeat steps 1-9 for opposite side</li> </ol>
	<ol style="list-style-type: none"> <li>11. Check all fastener torques, check the roof is clean and clear of parts</li> <li>12. Place fitting instructions in safe location for future reference</li> </ol>