

# **ARB** BASE RACK

## FITTING INSTRUCTION

Part Number: 1780490

Product Description: BASERACK LIGHTBAR MNT UNDER RACK

### **WARNING**

- ◆ This mount kit is designed to mount LED light bars up to 5kg/10.4lb in weight, with a single, side mount bolt. Fasteners for light bar not included
- ◆ Do not use this product for any product, other than those specified by ARB
- ◆ This product must be installed exactly as per these instructions using only the hardware supplied
- ◆ This product or its fixing must not be modified in any way
- ◆ These instructions are correct as at the publication date
- ◆ During installation, it is the duty of the installer to check correct operation/clearances of all components
- ◆ Work safely at all times
- ◆ Unless otherwise instructed, tighten fasteners to specified torque
- ◆ Fastener torques are to be checked at regular intervals

## **ARB 4x4 ACCESSORIES**

Corporate Head Office

[www.arb.com.au](http://www.arb.com.au)

42-44 Garden St  
Kilsyth, Victoria  
AUSTRALIA 3137

Tel: +61 (3) 9761 6622  
Fax: +61 (3) 9761 6807

Australian enquiries  
North & South American enquiries  
Other international enquiries

[sales@arb.com.au](mailto:sales@arb.com.au)  
[sales@arbusa.com](mailto:sales@arbusa.com)  
[exports@arb.com.au](mailto:exports@arb.com.au)


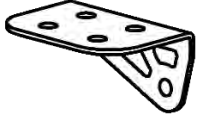
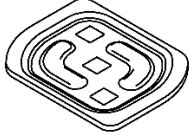



### **REQUIRED TOOLS FOR FITMENT OF PRODUCT:**

13mm Spanner/Wrench

### **FASTENER TORQUE SETTINGS:**

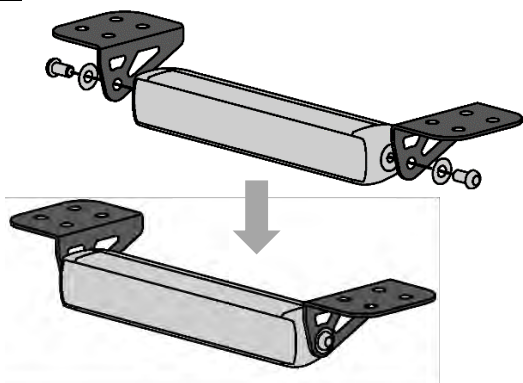
SIZE	Torque Nm	Torque lbft
M8	22Nm	16lbft

## PARTS LISTING

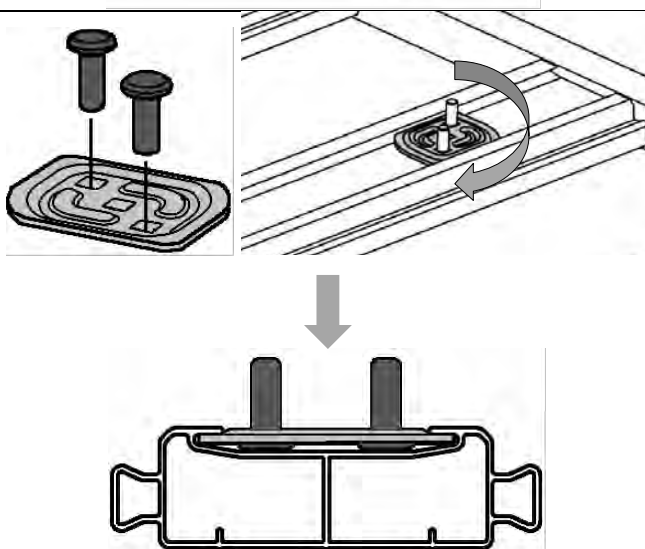
APPLICATION.	PART NO.	QTY	DESCRIPTION
	3750753R	1	BRKT LIGHT BAR MNT UNDER RH
	3750753L	1	BRKT LIGHT BAR MNT UNDER LH
	3195184	2	M8 STUD PLATE
	6151921	4	BOLT COHD M8x20 PC8.8 LWHD
	6151223	4	NUT NYLOC M8 BLACK
	4584378	4	WASHER M8x19x1.2mm BLACK

## FITTING PROCEDURE

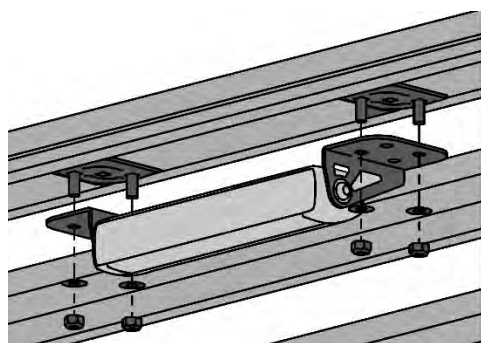
It is recommended to fit the lightbar before placing the rack on the vehicle roof



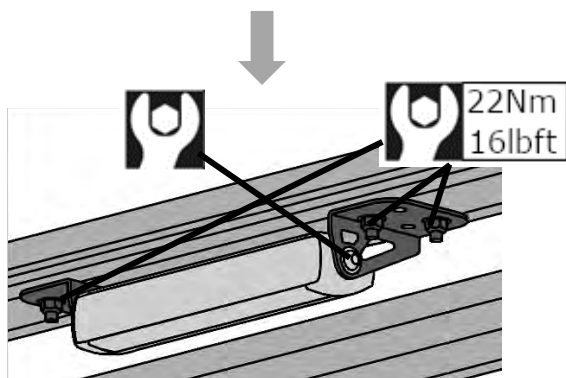
1. Fit one bracket to each end of the light bar as shown (hardware to light not supplied)



2. Insert 2 x M8 COHD bolts in each stud plate
3. Insert the plate assembly into the BASE Rack Channel and rotate 90°



4. Assemble the light bar and brackets to the stud plates with M8 Nyloc Nuts and Washers
5. Tighten the light bar bolts to manufactures recommendation
6. Tighten the M8 fasteners to specified torque



# **ARB** BASE RACK