

# **ARB** **BASE RACK** FITTING INSTRUCTION

Part Number: **1780810**  
Product Description: **BASERACK ROOF TOP TENT MOUNT**

## **WARNING**

- ◆ This product is suitable for ARB **Flinders, Simpson, Esperance & Altitude** tents, using 4 clamps and supplied M8 bolts only  
For other tents, additional clamps may be needed. Refer to tent instructions or contact tent manufacturer
- ◆ This product is rated for max 150kg (330 lbs) tents, using 4 clamps
- ◆ Individual clamp max rating is 40kg (88 lbs)
- ◆ Maximum vertical load per BASE RACK beam is 25kg (55lbs). Exceeding this limit may result in damage or failure. Heavier loads must be supported by several beams
- ◆ This product must be installed as per these instructions using only the hardware supplied
- ◆ This product or its fixing must not be modified in any way
- ◆ These instructions are correct as at the publication date
- ◆ During installation, it is the duty of the installer to check correct operation/clearances of all components
- ◆ Work safely at all times
- ◆ Unless otherwise instructed, tighten fasteners to specified torque
- ◆ Fastener torques are to be checked at regular intervals

---

## **ARB 4x4 ACCESSORIES**

### **Corporate Head Office**

42-44 Garden St  
Kilsyth, Victoria  
AUSTRALIA 3137

Tel: +61 (3) 9761 6622  
Fax: +61 (3) 9761 6807

Australian enquiries  
North & South American enquiries  
Other international enquiries

sales@arb.com.au  
sales@arbusa.com  
exports@arb.com.au

---

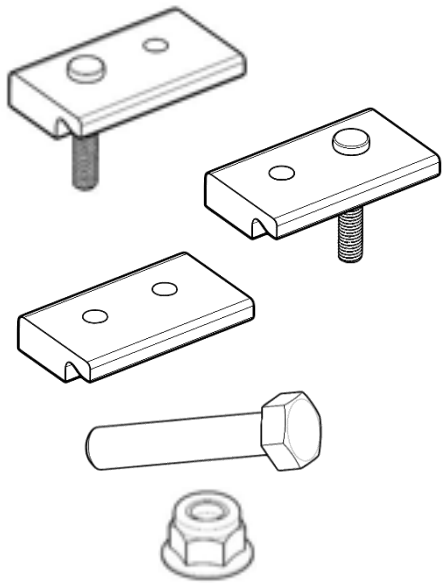
**[www.arb.com.au](http://www.arb.com.au)**

**REQUIRED TOOLS FOR FITMENT:**

13mm Spanner/Wrench

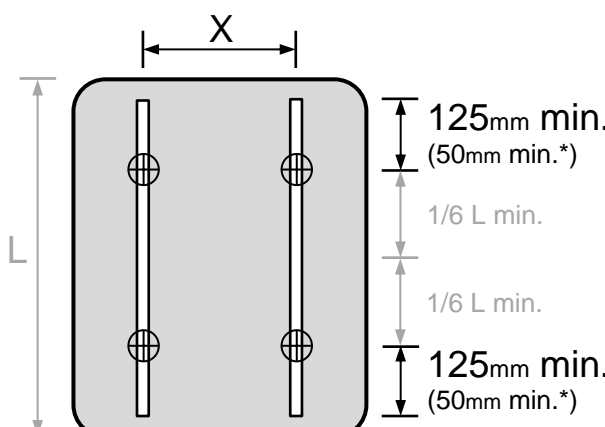
**FASTENER TORQUE SETTINGS:** 

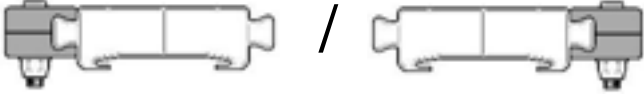

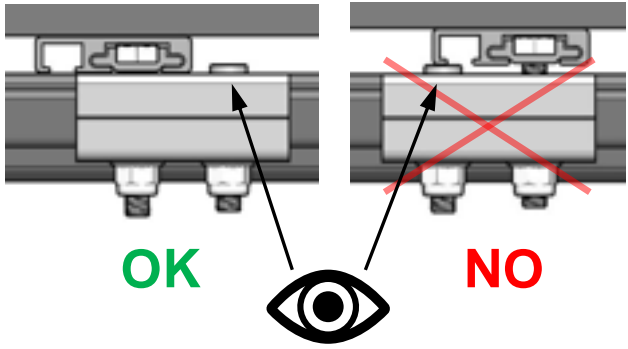

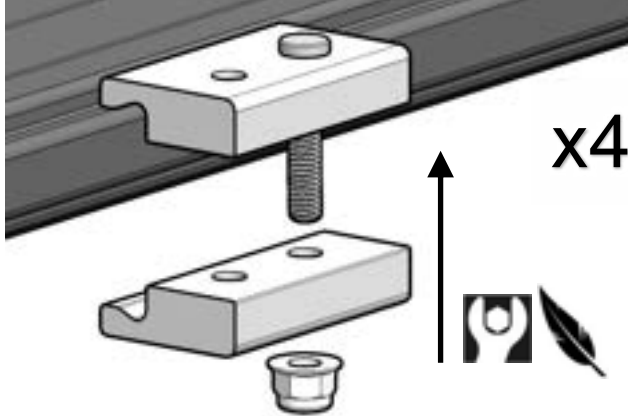
| SIZE | Torque Nm | Torque lbft |
|------|-----------|-------------|
| M8   | 22Nm      | 16lbft      |

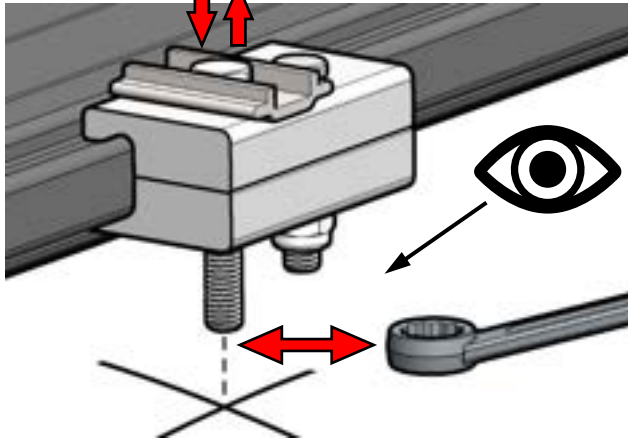

| PARTS LISTING  |          |     |                              |
|--|----------|-----|------------------------------|
| PICTURE  | PART NO. | QTY | DESCRIPTION                  |
|  | 6191205R | 2   | CLAMP 70mm with STUD - RIGHT |
|  | 6191205L | 2   | CLAMP 70mm with STUD - LEFT  |
|  | 6191204  | 4   | CLAMP 70mm                   |
|  | 6152199  | 4   | BOLT HEXAGONAL HEAD M8x45    |
|  | 6152200  | 8   | NUT FLANGE NYLOC M8          |

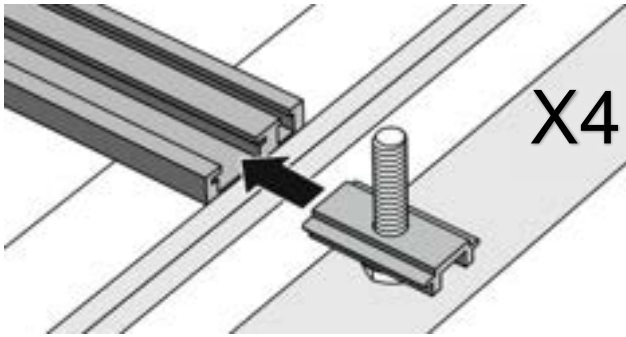
**BEFORE STARTING, CAREFULLY:**

- **READ ALL STEPS OF PRESENT INSTRUCTIONS**
- **READ AND FOLLOW ALL TENT INSTRUCTIONS**
- **CHECK ALL PARTS**

| STEP1: PLACE MOUNTS   |  |
|---|--|
|  <p>Tent underside</p> | <ol style="list-style-type: none"> <li>1. Measure the distance X between the attachment rails (centre to centre) on the underside of the tent.</li> <li>2. Distance between end of rail and mount (measured at bolt) should not be less than:                     <ul style="list-style-type: none"> <li>- 125mm for ARB <b>Flinders</b> &amp; ARB <b>Simpson</b>.</li> <li>-*50mm for ARB <b>Esperance</b> &amp; ARB <b>Altitude</b>.</li> </ul> </li> <li>3. Distance between mounts and centre of the tent should not be less than 1/6 L.</li> </ol> <p><i>Note: Tent's attachment rails should lay across the BASERACK's beams, not in line.</i></p> |

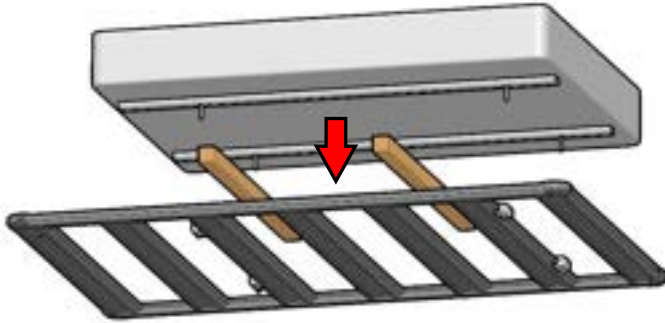
|  |  |
|--|--|
|   | <p>4. In the back to front direction, it is recommended for pairs of mounts to be facing opposite ways, as shown.</p>  |
| <p style="text-align: center;"><i>Recommended assemblies</i></p>  | <p>(One mount facing forward, the other facing backward)</p>   |
|  <p style="text-align: center;"><b>OK</b>      <b>NO</b></p>      | <p>5. Choose Right or Left-hand mounts carefully:</p> <p>Some Tent attachment rails (ARB <b>Flinders</b> &amp; ARB <b>Simpson</b>) are asymmetrical and will interfere with the stud's head when wrong hand is chosen.</p>  |
|    | <p>6. - Make pairs of clamps as shown.</p> <p>- Put the mounts in position following the previous steps.</p> <p>- Secure with an M8 nyloc flange nut.<br/><i>Do not tighten fully: mounts need to be able to slide on beams.</i></p>   |

|   |   |
|---|---|
| <b>STEP 2: ASSEMBLE TENT</b>  |   |
|  | <p>7. - Check that bolts from tent will fit.</p> <p>- Check that there will be enough space to remove tools.</p> <p>- If there is not enough clearance, use M8x45 Hex bolts provided in this kit.</p>  |

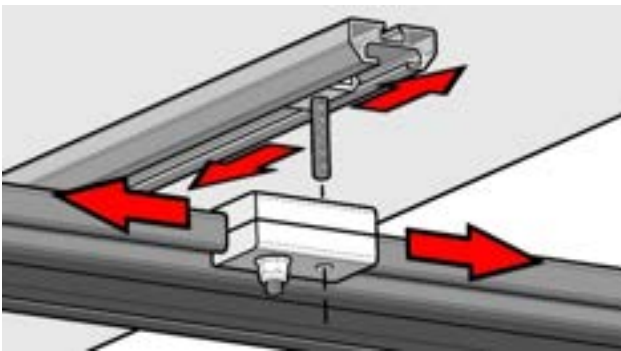
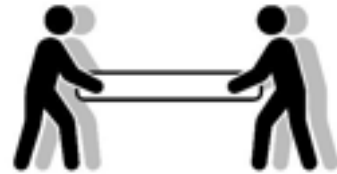


Follow tent instructions to:

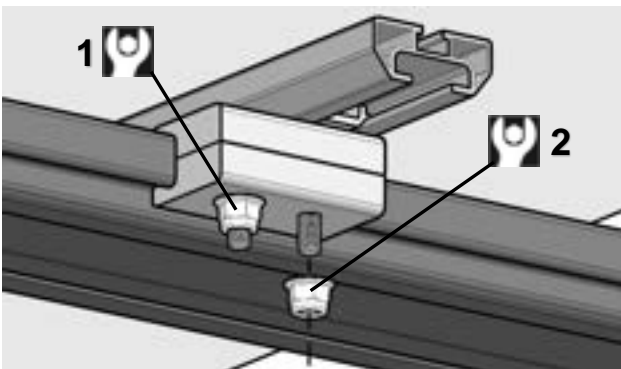
8. Insert [Slider + M8 bolt] pairs in tent attachment rails.
9. Place [Slider + M8 bolt] pairs in position to match mount placement.




10. Place spacers (wooden beams) on the rack.
11. With help, lower the roof top tent on the spacers, roughly in position.



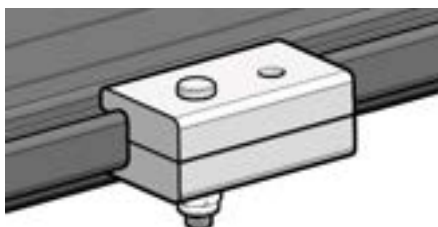
12. Align sliders and mounts as shown.
13. With help, remove the spacers and lower the tent on the BASERACK, so that the slider's bolts insert in the mounts.



For each mount:

14. First tighten the stud's M8 nut to specified torque.  **Torque M8 to 22Nm (16lbft)**
15. Then tighten the slider's M8 nut to specified or to tent manufacturer recommended torque.

 **Torque M8 to 22Nm (16lbft)**



Note:  
When removing the tent,  
Mounts can stay in place.