

ARB BED RACK

Part Number: **1780820**
Product Description: **BASE RACK CHMSL**
Suits: **BASE RACK AND RRT**

WARNING

NOTE THE FOLLOWING:

- ◆ Vehicle accessories which are not properly fitted can be dangerous.
- ◆ Please read these instructions carefully prior to fitting, and comply with the instructions at all times.
- ◆ If in any doubt please contact your nearest ARB state office or the stockist from whom it was purchased.
- ◆ Do not use this product for any vehicle make or model, other than those specified by ARB.
- ◆ This product or its fixing must not be modified in any way.
- ◆ The installation of this product may require the use of specialized tools and/or techniques.
- ◆ It is recommended that this product is only installed by trained personnel.
- ◆ These instructions are correct as at the publication date. ARB Corporation Ltd. cannot be held responsible for the impact of any changes subsequently made by the vehicle manufacturer.
- ◆ During installation, it is the duty of the installer to check correct operation/clearances of all components.
- ◆ Work safely at all times.
- ◆ Unless otherwise instructed, tighten fasteners to specified torque.
- ◆ Check bolt torque after 500km & at regular service intervals.

ARB 4x4 ACCESSORIES

Corporate Head Office

42-44 Garden St
Kilsyth, Victoria
AUSTRALIA 3137

Tel: +61 (3) 9761 6622
Fax: +61 (3) 9761 6807

Australian enquiries
North & South American enquiries
Other international enquiries

sales@arb.com.au
sales@arb.com.au
exports@arb.com.au

www.arb.com.au

GENERAL CARE AND MAINTENANCE

By choosing an ARB BED RACK, you have bought a product that is one of the most sought after 4WD products in the world. Your BED RACK is a properly engineered, reliable, quality accessory that represents excellent value. To keep your BED RACK in original condition it is important to care and maintain it following these recommendations:

- As part of any pre-trip preparation, or on an annual basis, it is recommended that a thorough visual inspection of the BED RACK is carried out, making sure that all bolts and other components are torqued to the correct specification. Replace any components as necessary.

Please contact local Authorised ARB Stockist if you would like to have this service carried out on your behalf.

FITTING REQUIREMENTS

REQUIRED TOOLS FOR FITMENT OF PRODUCT:

METRIC SOCKET SET	Tape measure
SCRIBER	CENTRE PUNCH
HAMMER	TORQUE WRENCH Minimum 22Nm
DRILL	Ø10.0mm DRILL BIT
Ø13.0mm DRILL BIT	DEBURRING TOOL
DEBURRING TOOL	M6 NUT SERT TOOL
SCISSORS	WIRING STRIPERS
TEST LIGHT	SOLDERING IRON AND SOLDER
HEAT GUN	HEAT SHRINK

HAVE AVAILABLE THESE SAFETY ITEMS WHEN FITTING PRODUCT:

Protective eyewear	Hearing protection
--------------------	--------------------

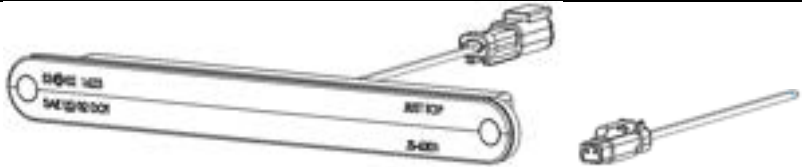
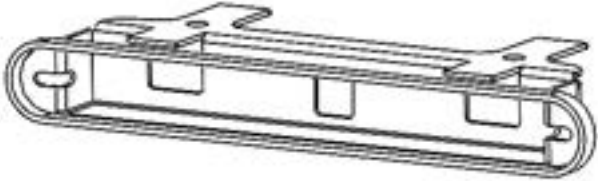










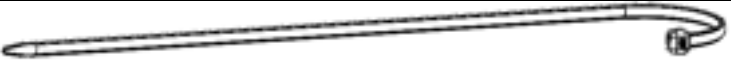


NOTE: When installing ground terminals, please ensure the ground point is clean and secure with good contact. Do not stack more than one additional ground terminal onto any ground point. If adding a ground terminal to an existing ground point, please ensure the fastener is correctly tightened after installation.

NOTE: 'WARNING' notes in the fitting procedure relate to OHS situations, where to avoid a potentially hazardous situation it is suggested that protective safety gear be worn or a safe work procedure be employed. If these notes and warnings are not heeded, injury may result.

FASTENER  TORQUE SETTINGS:

SIZE	Torque Nm	Torque lbft
M6	9Nm	7lbft
M8	22Nm	16lbft

PARTS LISTING – BED RACK CHMSL FITTING KIT			
PART NUMBER	DESCRIPTION	QTY	DIAGRAM
6821512	LED CHMSL LAMP 258MM	1	
4655500	BED RACK CHMSL WELDMENT	1	
3195184	M8 STUD PLATE	2	
4581085	WASHER FLAT M8X19X1.2	2	
6151212	NUT HEX NYLOC M8X1.25	2	
6151921	BOLT COHD M8X20	2	
6151278	NUT SERT M6	2	
4584362	WASHER FLAT M8x20x10.4	2	
6152008	BOLT HXHD FL M6x1.0x25	2	
6781440	TAPE BACKING 350MM	1	
6821132	GROMMET	2	
6821242	CABLE TIE HOLDER 19X19mm BLACK	5	
180302	CABLE TIE 4.8 X 180 MM BLACK	5	

BEFORE STARTING, READ ALL STEPS OF THE INSTRUCTIONS

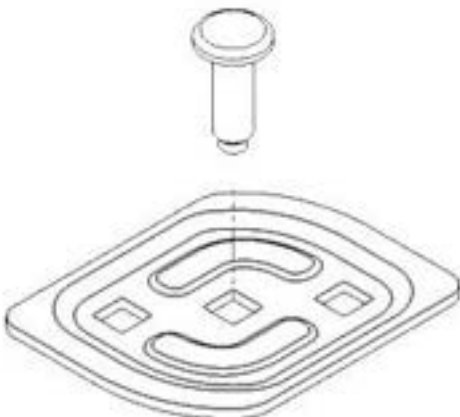


1. Place the BASE RACK CHMSL parts on the tailgate on the opened carton.

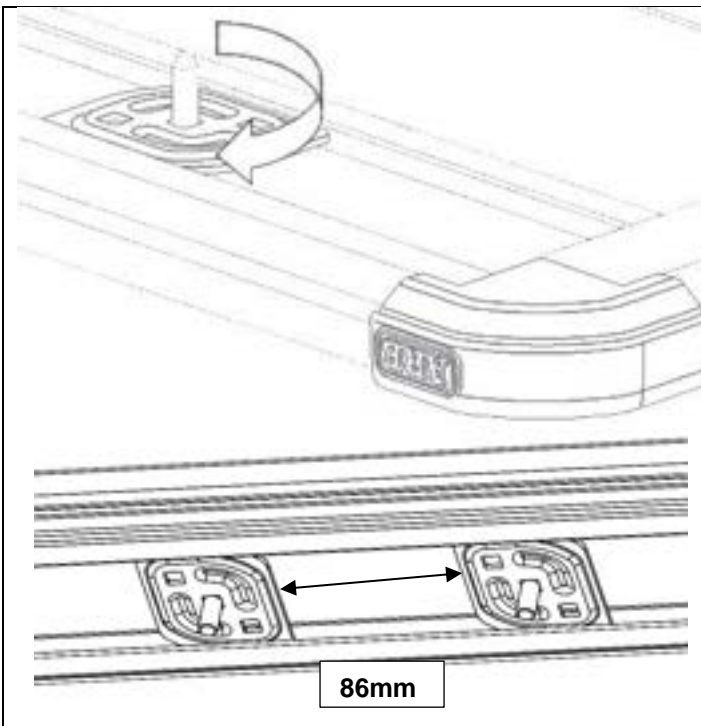


2. Assembly the Lamp into the mount using the supplied fasteners with the lamp, making sure the lamp is equally spaced to the mounts in each direction.

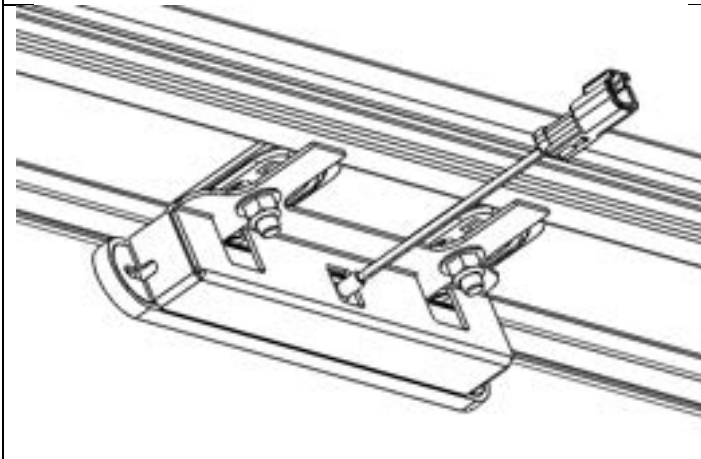
FOR BASE RACK INSTALLATION CONTINUE BELOW **FOR RRT INSTALLATION SKIP TO STEP 8.**



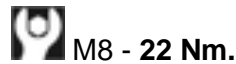
3. Insert one M8 x 20 Stud into each Stud Plates as shown.



4. Insert the two assembled stud plates into the rear BASE RACK channel. Rotate the plates 90°.
5. Position the stud plates on either side of the centreline at 86mm apart using the closest edges for measurement.

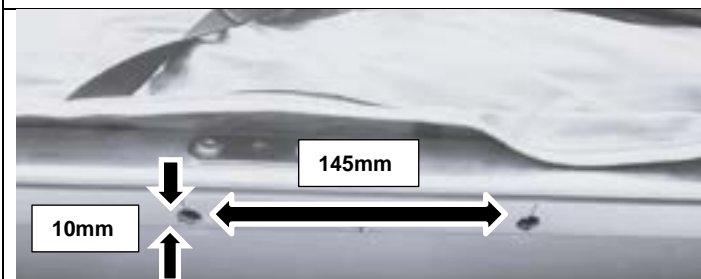


6. Loosely fit the assembled lamp and mount to the studs using two M8 washers and two M8 Nyloc nuts.
7. Align the lamp to be parallel to the Base Rack beam and tighten to specification.



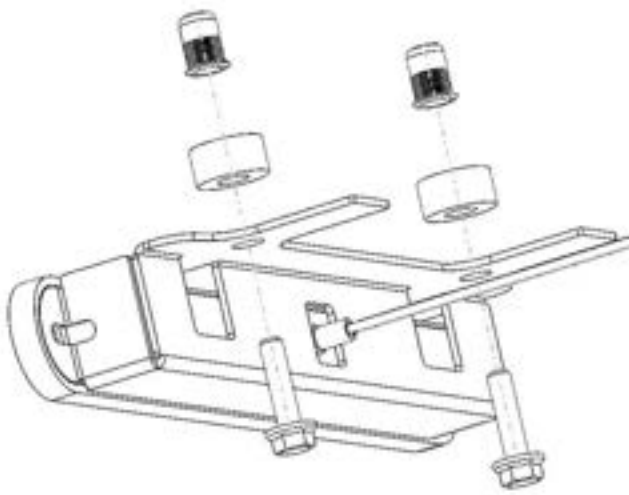
Continue to step 14.

ARB ESPERANCE ROOF TOP TENT FITMENT



8. Mark out drilling positions about the centreline at 145mm.
9. Measure 10mm from the edge of the Al. rearward.
10. Drill both positions with a Ø10.0mm drill bit.
11. Deburr both holes and fit an M6 Nutsert into each hole.

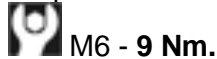




12. With two spacers and two M6 FL bolts, loosely fit the assembled mount to the M6 Nutserts fitted to the RRT.



13. Align the lamp to be parallel to the rear and torque the M6 FL bolts to specification.



14. Apply tape to the Bed Rack frame as shown and measure the drilling positions.

A:

Draw a line straight down from the back of the Base Rack beam and 40mm up from the inside radius of the frame.

B:

Measure up from the weld edge 20mm and 20mm from the back edge of the frame.



15. Drill both positions using a Ø13.0mm drill bit.
16. Deburr inside and outside of each hole.



17. Fit one grommet to the extension lead and then feed the lead through the frame starting at the top drilled hole and out the lower.
18. Leaving a tail at the plug end, fit the grommet into both holes.

19. Remove the Taillight from the vehicle and run the extension lead to the rear Brake light assembly.
20. Locate the power and earth for the Brake light.
21. Splice the extension lead into the brake light loom, Red to the Power and Black to the earth.



22. Connect the plug from the extension to the lamp and test the lamp for function.
23. Tie up the loom using the cable tie holders and cable ties under the Base Rack.
24. Refit the vehicles taillight.

FITTED PRODUCT

ROOF TOP TENT



BASE RACK

