

ARB **BASE RACK** FITTING INSTRUCTION

Part Number: **1780860**

Product Description: **BASE RACK ADAPTOR SUITS QUATRO NACHO LIGHTS**

WARNING

- ◆ Do not use this product for any product, other than those specified by ARB
- ◆ This product must be installed exactly as per these instructions using only the hardware supplied
- ◆ This product or its fixing must not be modified in any way
- ◆ These instructions are correct as at the publication date
- ◆ During installation, it is the duty of the installer to check correct operation/clearances of all components
- ◆ Work safely at all times
- ◆ Unless otherwise instructed, tighten fasteners to specified torque
- ◆ Fastener torques are to be checked at regular intervals

ARB 4x4 ACCESSORIES

Corporate Head Office

42-44 Garden St
Kilsyth, Victoria
AUSTRALIA 3137

Tel: +61 (3) 9761 6622
Fax: +61 (3) 9761 6807

Australian enquiries
North & South American enquiries
Other international enquiries

sales@arb.com.au
sales@arb.com.au
exports@arb.com.au

www.arb.com.au





REQUIRED TOOLS FOR FITMENT OF PRODUCT:

| |
|----------------------|
| 10mm & 7/16" Sockets |
| 4mm Allen key |

FASTENER  TORQUE SETTINGS:



| SIZE | Torque Nm | Torque lbft |
|-----------|-----------|-------------|
| M6 / 1/4" | 8Nm | 6lbft |

PARTS LISTING 1780860

| PART NO. | PICTURE | QTY | DESCRIPTION |
|----------|---|-----|----------------------------------|
| 37500109 |  | 4 | BRKT BR MOUNT NACHO QUATRO LIGHT |
| 6151256 |  | 4 | M6x16 BUTTON HEAD BOLT – SILVER |
| 4581304 |  | 8 | M6x12 WASHER FLAT – SILVER |
| 6151162 |  | 4 | M6 NYLOC NUT – SILVER |

**BEFORE STARTING, CAREFULLY: - READ ALL STEPS
- CHECK ALL PARTS**

STEP 1: PRE-ASSEMBLE

| | |
|---|---|
|  | <p>1. Assemble pairs of brackets, using the M6x16 button head bolts, flat washers and nyloc nuts provided in the kit, as shown.</p> <p>Do not tighten: Assemble loosely by hand only.</p>  |
|---|---|

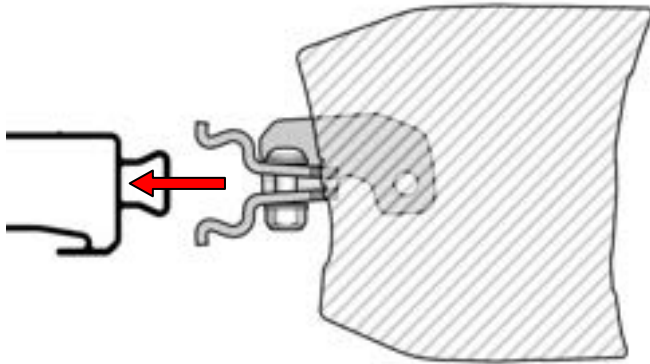


- Assemble brackets onto the Nacho Quatro light, using the 1/4-20 hex bolts, lock washers and flat washers provided with the light, as shown.

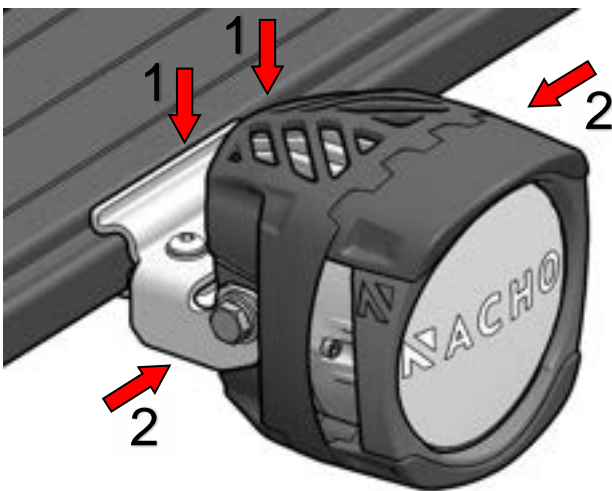
Do not fully tighten.



STEP 2: ASSEMBLE ON BASE RACK



- Assemble brackets onto BASE RACK's dovetail.



- Tighten button head bolts to the specified torque.



- 4mm Allen Key
- 10mm Socket

- Orient the Nacho Quatro light as needed.

- Tighten hex head bolts to the specified torque.



- 7/16" Socket

ARB BASE RACK