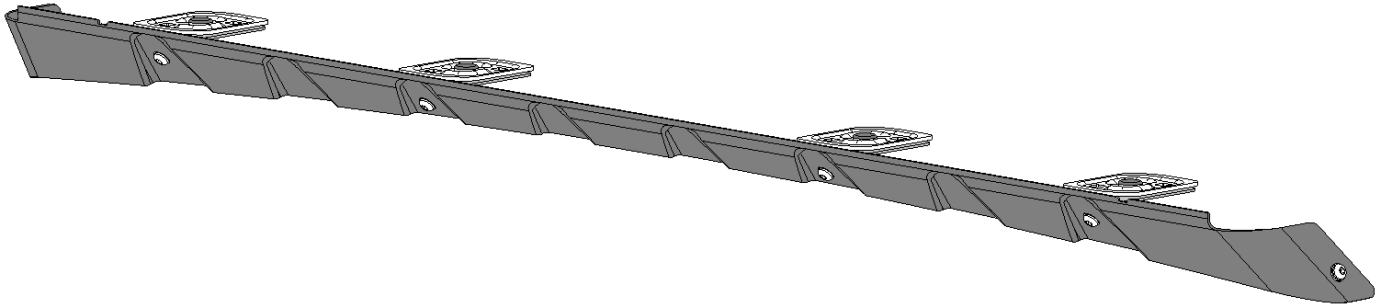


ARB **BASE RACK**

FITTING INSTRUCTION

BASE RACK air deflector kits



WARNING

NOTE THE FOLLOWING:

- ◆ Vehicle accessories which are not properly fitted can be dangerous.
- ◆ Please read these instructions carefully prior to fitting, and comply with the instructions at all times
- ◆ If in any doubt please contact your nearest ARB state office or the stockist from whom it was purchased.
- ◆ Do not use this product for any vehicle make or model, other than those specified by ARB.
- ◆ This product or its fixing must not be modified in any way.
- ◆ The installation of this product may require the use of specialized tools and/or techniques
- ◆ It is recommended that this product is only installed by trained personnel
- ◆ These instructions are correct as at the publication date. ARB Corporation Ltd. cannot be held responsible for the impact of any changes subsequently made by the vehicle manufacturer
- ◆ During installation, it is the duty of the installer to check correct operation/clearances of all components
- ◆ Work safely at all times
- ◆ Unless otherwise instructed, tighten fasteners to specified torque
- ◆ Check bolt torque after 500km & at regular service intervals

ARB 4x4 ACCESSORIES

Corporate Head Office

42-44 Garden St
Kilsyth, Victoria
AUSTRALIA 3137

Tel: +61 (3) 9761 6622
Fax: +61 (3) 9761 6807

Australian enquiries
North & South American enquiries
Other international enquiries

sales@arb.com.au
sales@arbusa.com
exports@arb.com.au

www.arb.com.au

GENERAL CARE AND MAINTENANCE

By choosing an ARB BASE RACK, you have bought a product that is one of the most sought after 4WD products in the world. Your BASE RACK is a properly engineered, reliable, quality accessory that represents excellent value. To keep your BASE RACK in original condition it is important to care and maintain it following these recommendations:

- As part of any pre-trip preparation, or on an annual basis, it is recommended that a thorough visual inspection of the BASE RACK is carried out, making sure that all bolts and other components are torqued to the correct specification. Replace any components as necessary.

Please contact local Authorised ARB Stockist if you would like to have this service carried out on your behalf.

FITTING REQUIREMENTS

REQUIRED TOOLS FOR FITMENT OF PRODUCT:

| | |
|---------------|------------------|
| Allen key set | 13mm spanner x 1 |
| | 10mm spanner x 1 |

For BASE RACK lightbar fitment only






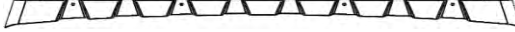

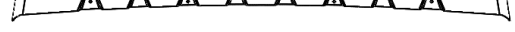




| | |
|---------------------------|----------------------|
| Tinsnips or angle grinder | Black touch-up paint |
|---------------------------|----------------------|

NOTE: 'WARNING' notes in the fitting procedure relate to OHS situations, where to avoid a potentially hazardous situation it is suggested that protective safety gear be worn or a safe work procedure be employed. If these notes and warnings are not heeded, injury may result.



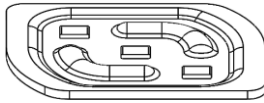
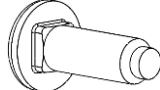
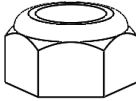

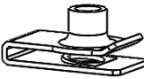


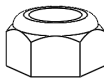
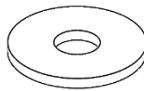
FASTENER TORQUE SETTINGS:

| SIZE | Torque Nm | Torque lbft |
|------|-----------|-------------|
| M6 | 9Nm | 7lbft |
| M8 | 22Nm | 16lbft |

VEHICLE APPLICATION MATRIX

| PART NO. | SUIT VEHICLE | SUIT BASE RACK | DEFLECTOR NO. | PICTURE |
|----------|----------------------------------|-------------------|---------------|--|
| 17915060 | Land Cruiser 200 series | 1770020 | 3752742 |  |
| 17915040 | Land Cruiser 200 series | 1770040 | 3752740 |  |
| 17915040 | Land Cruiser 200 series dual cab | 1770020 | 3752740 |  |
| 17915080 | Land Cruiser 200 series USA | 1770040 | 3752740 |  |
| 17915090 | Land Cruiser 200 series USA | 1770020 | 3750883 |  |
| 17921020 | Prado 150 | 1770010 / 1770030 | 3752744 |  |
| 17962030 | Patrol Y62 | 1770040 | 3750746 |  |
| 17962040 | Patrol Y62 | 1770070 | 3750630 |  |
| 17921060 | Prado 120 | 1770010 / 1770030 | 3750659 |  |
| 17920030 | FJ Cruiser | 1770060 / 1770070 | 3750583 |  |
| 17920040 | FJ Cruiser | 1770040 | 3750582 |  |
| 17921040 | 4Runner | 1770020 | 3750578 |  |

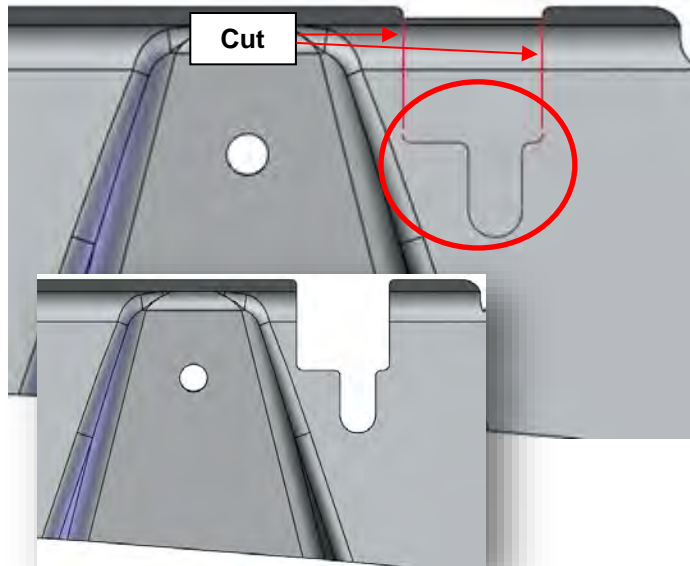
PARTS LISTING

| PART NO. | PICTURE | QTY | DESCRIPTION |
|-----------|---|-----|---------------------------------|
| SEE ABOVE |  | 1 | AIR DEFLECTOR |
| 3752747 |  | 4 | AIR DEFLECTOR MOUNT BRACKET |
| 3195184 |  | 4 | M8 STUD PLATE |
| 6151916 |  | 4 | M8 x 25 STUD - BLACK |
| 6151212 |  | 4 | M8 x 1.25 NYLOC NUT - BLACK |
| 4581085 |  | 4 | M8 FLAT WASHER - BLACK |
| 6151475 |  | 4 | U-NUT M6 |
| 6151459 |  | 6 | M6 x 16 BUTTON HEAD HEX - BLACK |
| 4584329 |  | 8 | M6 FLAT WASHER - BLACK |
| 6151223 |  | 2 | M6 x 1.0 NYLOC NUT - BLACK |
| 4581082 |  | 2 | M6 FLAT WASHER LARGE - BLACK |

BEFORE STARTING, READ ALL STEPS OF THE INSTRUCTIONS CAREFULLY AND CHECK ALL PARTS

NOTE: For ease of installation, the air deflector should be fitted with the **BASE RACK** removed from the vehicle. Read these instructions in connection with the **BASE RACK** instructions before proceeding with the installation.

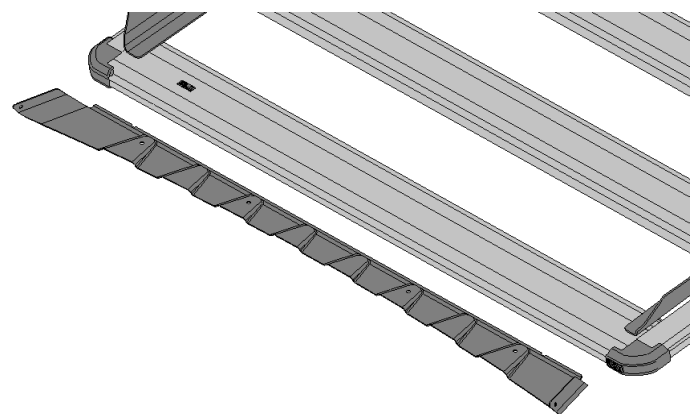
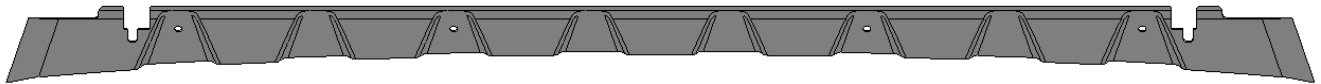
OPTIONAL: LIGHTBAR FITMENT



1. If fitting the air deflector together with a front mounted **BASE RACK** Light Bar, the Air Deflector needs to be modified as described below. Refer to the instructions provided with the **BASE RACK** light bar for details on installing the light bar.
2. Make 4 cuts in the air deflector between the notches in the top edge and the laser cut shape as shown.

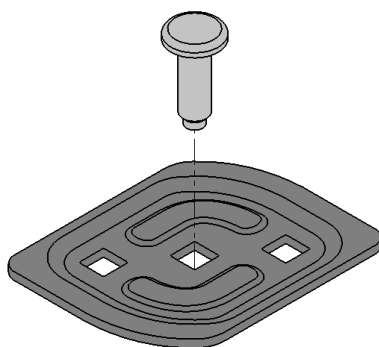
Discard the material removed.

Remove any sharp edges and paint raw edges with black touch-up paint.

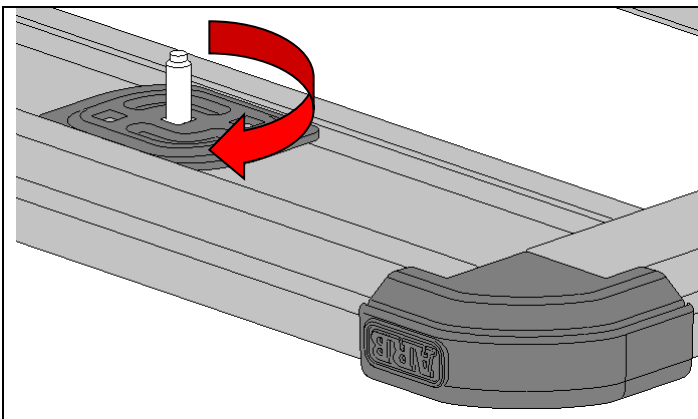


Note: **BASE RACK** should be upside down with the vehicle mount brackets fitted.

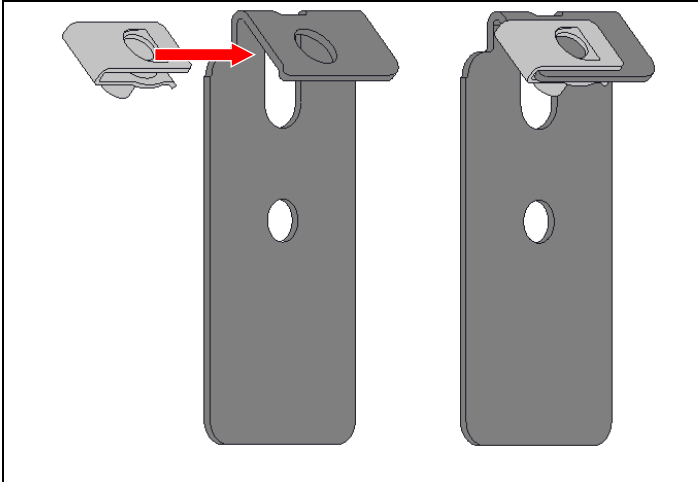
3. Lay the air deflector face down, parallel with the front of the **BASE RACK**. This will help determine the general position for the stud plates. Ensure the distance between the end of the deflector and outside of the tray is the same on both sides.



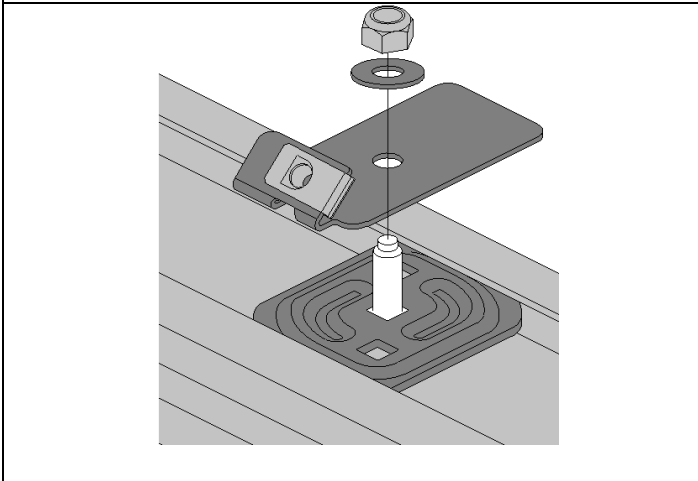
4. Insert one M8 x 25 Stud into each of the Stud Plates as shown.



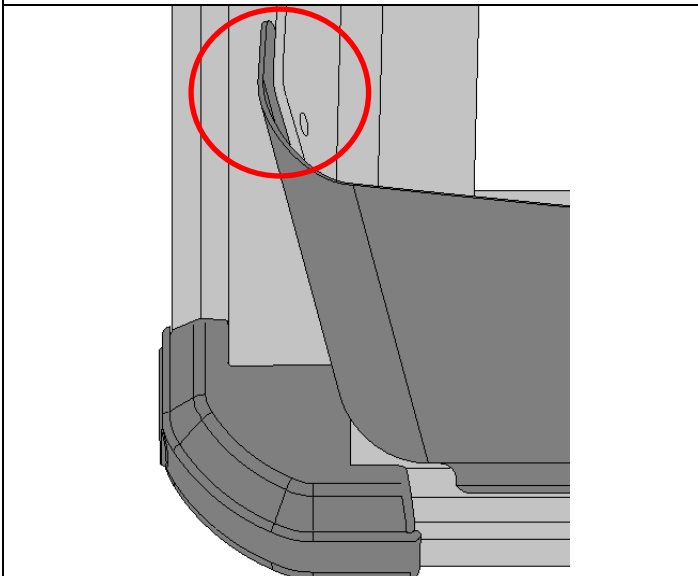
5. Flip the plate over and insert each of the 4 assembled stud plates into the front channel of the BASE RACK. Rotate 90 degrees and ensure the axis of the bolt lines up with the holes in the air deflector.



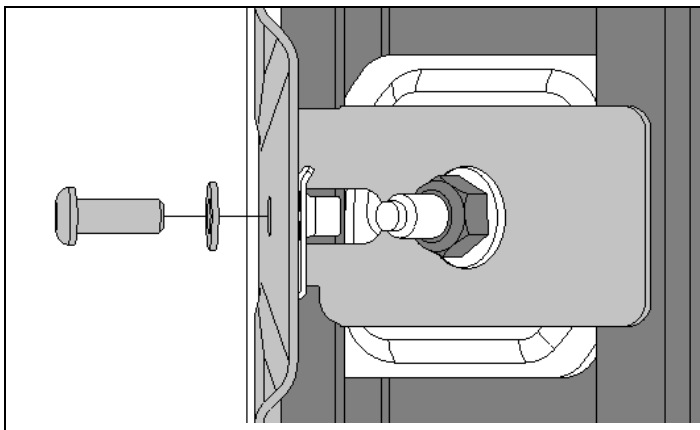
6. Snap one u-nut onto each of the 4 air deflector mounting plates. Take care to ensure the u-nut is oriented correctly. See image.



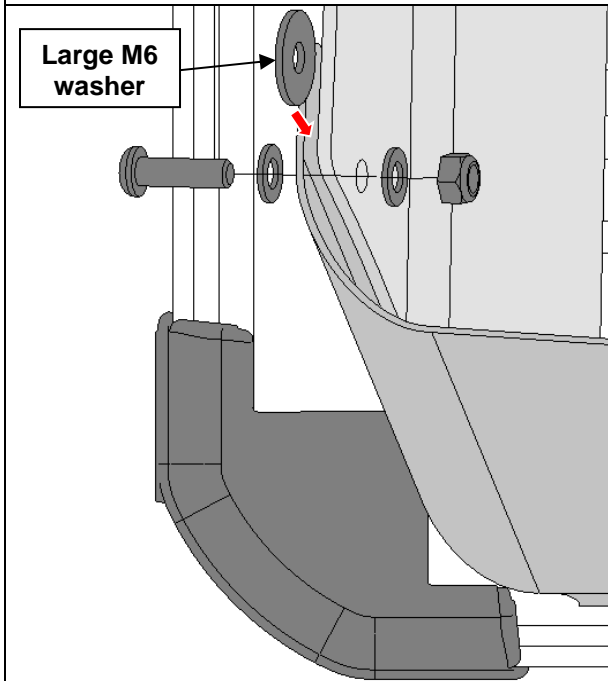
7. Attach the air deflector mounting plates to the stud plates with an M8 flat washer & nyloc nut.
Leave nut loose enough to allow assembly to slide along channel.



8. Flip the air deflector over and offer it up to the assembled BASE RACK and blade brackets.
Ensure the folded ends of the deflector are outside the ends of the blade brackets. The holes in the front of the air deflector should line up closely with the u-nuts



9. Secure each of the 4 mounting plates to the air deflector. Use the M6 Button head screws and black M6 washer (part# 4584329) as shown.



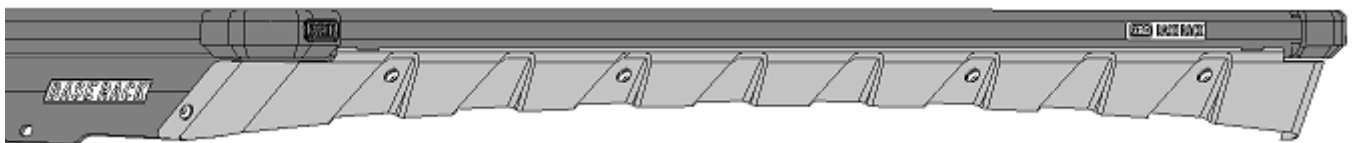
10. Place the large M6 washer (4581082) between the blade and the air deflector and secure using the remaining M6 Button head screws, M6 washers (4584329) and an M6 nyloc nut, as shown.

11. Tighten all screws to specified torque.

 Torque M8 to 22Nm

 Torque M6 to 9Nm

12. Fitted



Fitted with Lightbar (in front of deflector)



