

BASE RACK FITTING INSTRUCTION

Part Number(s): Suits BASE Rack:
17921030 **1770020 60" x 50" (1545mm x 1285mm)**

17921070* **1770010 72" x 45" (1835mm x 1155mm)**
 1770030 72" x 50" (1835mm x 1285mm)

Product Description: **BASE RACK fitting kit suits 5th Gen TOYOTA 4RUNNER**

**17921070 will limit the tilt operation of the sun roof.*

WARNING

NOTE THE FOLLOWING:

- ◆ Vehicle accessories which are not properly fitted can be dangerous.
- ◆ Please read these instructions carefully prior to fitting, and comply with the instructions at all times
- ◆ If in any doubt please contact your nearest ARB state office or the stockist from whom it was purchased.
- ◆ Do not use this product for any vehicle make or model, other than those specified by ARB.
- ◆ This product or its fixing must not be modified in any way.
- ◆ The installation of this product may require the use of specialized tools and/or techniques
- ◆ It is recommended that this product is only installed by trained personnel
- ◆ These instructions are correct as at the publication date. ARB Corporation Ltd. cannot be held responsible for the impact of any changes subsequently made by the vehicle manufacturer
- ◆ During installation, it is the duty of the installer to check correct operation/clearances of all components
- ◆ Work safely at all times
- ◆ Unless otherwise instructed, tighten fasteners to specified torque
- ◆ Check bolt torque after 500km & at regular service intervals

ARB 4x4 ACCESSORIES

Corporate Head Office

42-44 Garden St
Kilsyth, Victoria
AUSTRALIA 3137

Tel: +61 (3) 9761 6622
Fax: +61 (3) 9761 6807

Australian enquiries
North & South American enquiries
Other international enquiries

sales@arb.com.au
sales@arb.com.au
exports@arb.com.au

SAFETY

NET PAYLOAD FOR YOUR BASE RACK

The net payload for your BASE Rack is calculated by subtracting the weight of the BASE Rack and the vehicle mounting kit from the vehicle's roof capacity. The table below gives the approximative BASE Rack net payload for fitting kit 17921030 and 17921070, using the vehicles maximum vehicle roof capacity. The vehicle's roof load capacity may vary between models and driving conditions. Refer to vehicle owner's manual for model and condition specific roof load capacities.

Kit	BASE Rack	Vehicle roof capacity* (kg/lb)	BASE Rack + mount kit (kg/lb)	BASE Rack net payload (kg/lb)
17921030**	1770020	100 / 220	27 / 60	73 / 160
17921070	1770010	100 / 220	31 / 68	69 / 152
17921070	1770030	100 / 220	32.5 / 72	67.5 / 148

* Maximum roof load capacity. Refer to vehicle owner's manual for model and condition specific roof load capacities.

** Does not include Air Deflector and its fasteners (1.1kg / 2.4lbs).

It is important to follow these safety instructions;

- ◆ Maximum load per BASE Rack beam is 25kg / 55lbs.
- ◆ Load must be evenly distributed and adequately secured.
- ◆ Any weight carried on the roof of the vehicle will adversely affect its handling, particularly in cornering or in a cross-wind, the vehicle should therefore be driven with increased discretion.
- ◆ Regularly check the tightness of the securing clamps and the security of the load.
- ◆ Attention is directed to statutory requirements regarding maximum permissible projections from vehicles.

All bolts should be checked prior to touring to ensure the tray is fastened correctly

GENERAL CARE AND MAINTENANCE

By choosing an ARB BASE Rack, you have bought a product that is one of the most sought after 4WD products in the world. Your BASE Rack is a properly engineered, reliable, quality accessory that represents excellent value. To keep your BASE Rack in original condition it is important to care and maintain it following these recommendations:

- As part of any pre-trip preparation, or on an annual basis, it is recommended that a thorough visual inspection of the BASE Rack is carried out, making sure that all bolts and other components are torqued to the correct specification. Replace any components as necessary.



Please contact local Authorised ARB Stockist if you would like to have this service carried out on your behalf.

FITTING REQUIREMENTS

REQUIRED TOOLS FOR FITMENT OF PRODUCT:

10mm spanner x 2	13mm spanner x 1
Allen key set	Torx key set
Pen/pencil	Socket set
Tape measure	

HAVE AVAILABLE THESE SAFETY ITEMS WHEN FITTING PRODUCT:

Protective eyewear 	Hearing protection 
------------------------------------------------------------------------------------------------------	--------------------------------------------------------------------------------------------------------

NOTE: 'WARNING' notes in the fitting procedure relate to OHS situations, where to avoid a potentially hazardous situation it is suggested that protective safety gear be worn or a safe work procedure be employed. If these notes and warnings are not heeded, injury may result.

FASTENER TORQUE SETTINGS:

SIZE	Torque Nm	Torque lbft
M6	9Nm	7lbft
M8	22Nm	16lbft

SHARK FIN ANTENNA and BASE RACK

Years 2014 to 2016's 4Runner Shark Fin Antenna is not compatible with 17921040 and 17921070 BASE Rack fitting kits. The antenna is too tall.



Suitable third party antennas are available on the market. Height should not exceed 2-7/16" (62mm).



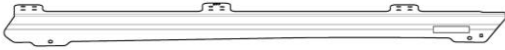
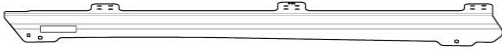



AIR DEFLECTOR and BASE RACK LIGHT BAR

An air deflector or BASE Rack Light Bar should be fitted beneath the front edge of the BASE Rack. Refer to the table below for the matching kit numbers between Air Deflector or BASE Rack Light Bar and BASE Rack fitting kits.

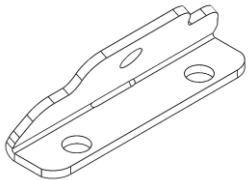

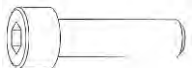


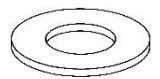
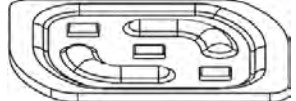
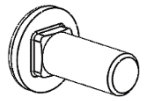
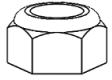
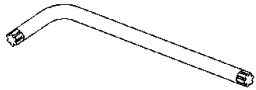
If fitting the light bar in front of the BASE Rack, an Air Deflector should also be fitted. Refer to the instructions provided with these products for further details.

		PART KIT NUMBER	BASE RACK FITTING KIT
AIR DEFLECTOR		17921040	17921030
		Included	17921070
BASE RACK LIGHT BAR		1780500	17921030
		1780500	17921070

PARTS LISTING

PART NO.	PICTURE	QTY	DESCRIPTION
17921030 ONLY			
3750577R		1	BLADE BRACKET BR 1545 RH 4RUNNER
3750577L		1	BLADE BRACKET BR 1545 LH 4RUNNER
17921070 ONLY			
3753560R		1	BLADE BRACKET BR 1835 RH 4RUNNER
3753560L		1	BLADE BRACKET BR 1835 LH 4RUNNER
3753561		1	AIR DEFLECTOR 1835 4RUNNER
6177575	SEE PART LISTING IN FITTING INSTRUCTIONS #3781962 INCLUDED	1	AIR DEFLECTOR FASTENER KIT

17921030 & 17921070 COMMON PARTS

3752748		4	MOUNTING BRACKET W/ WELD NUT
5846403		4	RUBBER SEAL
6151184		8	SHCS M8 X 1.25 X 30 - SS
4584415		8	M8 WASHER FLAT - BONDED
6151924		4	M8 X 1.25 X 20 BUTTON HEAD TORX - BLK
4581085		16	M8 WASHER FLAT - BLACK
3195184		6	M8 STUD PLATE
6151921		12	M8 X 20 STUD - BLACK
6151212		12	M8 NYLOC - BLACK
6151934		1	TORX ALLEN KEY

FITTING PROCEDURE



1. Carefully remove the plastic roof bar covers from each end of the roof bars by gently prying off, see below.

HINT: Apply a strip of masking tape along roof edge as shown to protect surface when levering off cover



2. Carefully remove the factory bolts, metal brackets and bars.

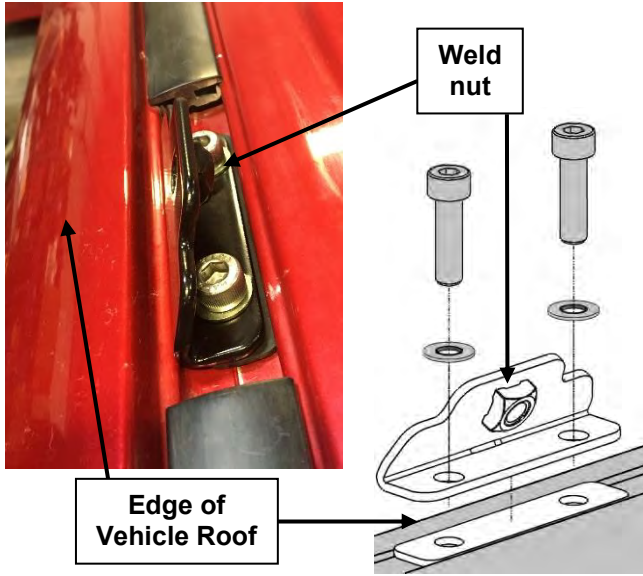
CAUTION: Undo the bracket bolts concurrently: Don't fully remove only one. You must loosen the first one, then loosen the second one. Then, undo each one in stages, because the nut plate within the vehicle roof can easily be dislodged if one bolt is left tight then torque is applied to it.

NOTE: Keep the bars, factory bolts, brackets and plastic covers in a safe place so that they can be re-fitted if you wish to remove the roof rack at a later date.



3. Clean area where seals will go and then place rubber seals over inserts.

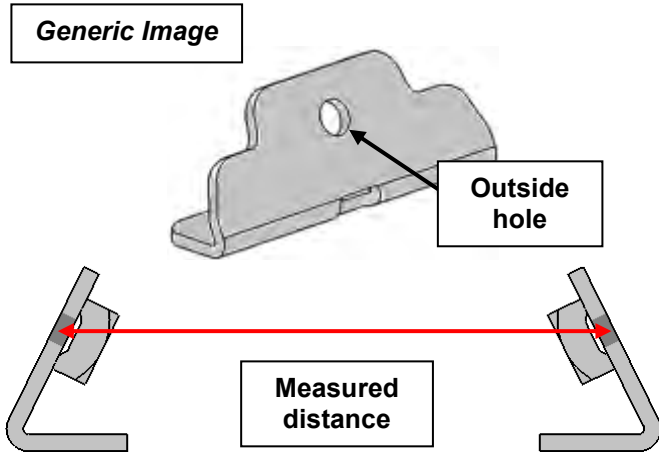
NOTE: A non-acidic sealant may be used under the rubber seal.



4. Assemble the 4 x mounting bracket to the vehicle roof.
5. Position the mounting bracket as shown with the weld nut facing the centre of the vehicle. Attach each bracket to the roof mounting points using M8 x 30 Socket head screws and M8 Bonded washers. See image.

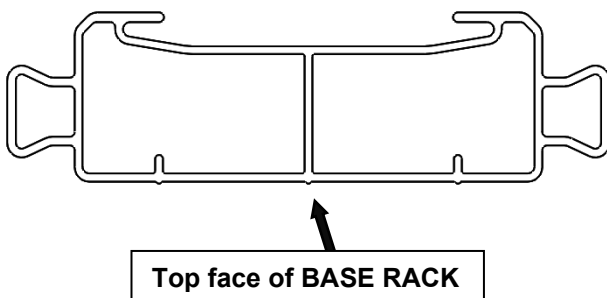
Tighten screws to specified torque

 **Torque M8 to 22Nm (16lbft)**

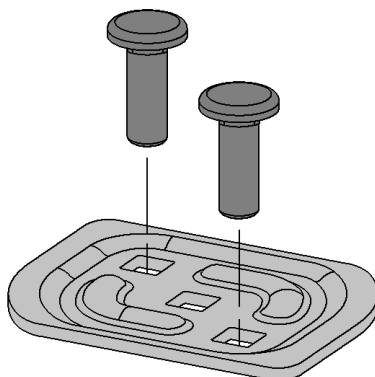


6. Using a tape measure, measure across the vehicle between the middle of the hole on the outside face of the front and rear set of mounting brackets. Make a note of each measurement.

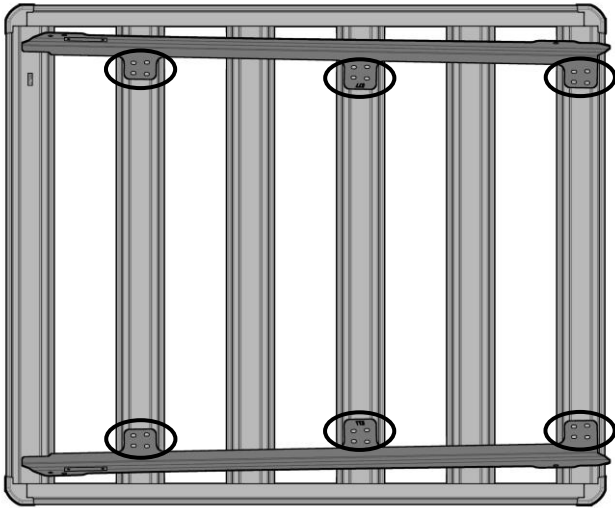
Position	Distance
Front	
Rear	



7. Place the BASE Rack face down on a clean flat surface. Provide protection to the top face of the BASE Rack to avoid marking of surfaces

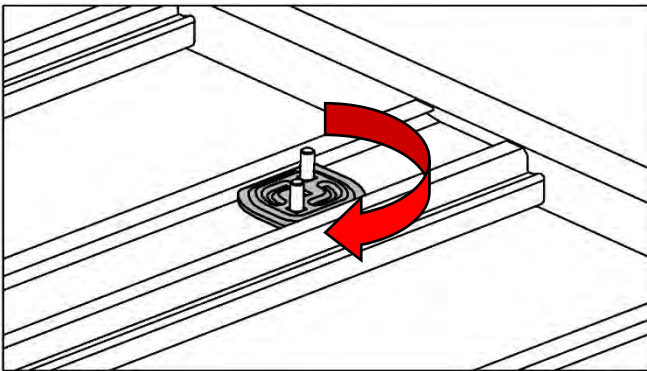


8. Insert 2, M8 x 20 Studs into 4 of the Stud Plates as shown.

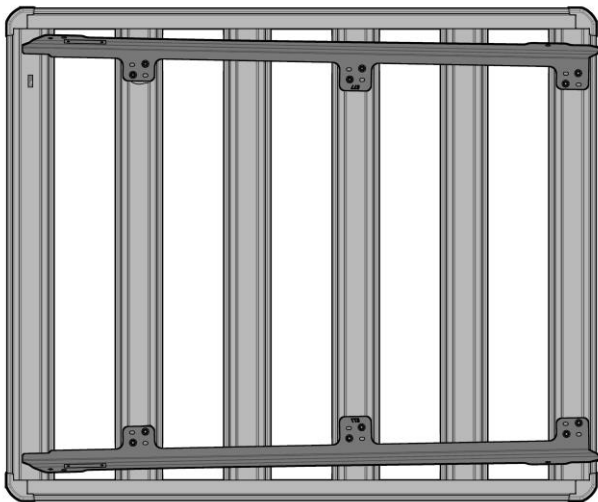
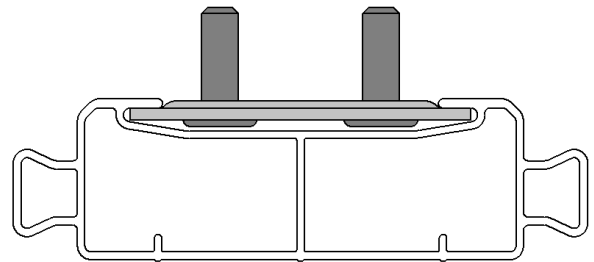


9. Check the position of the mounting plates (circled in image) on the blade brackets in relation to the channels on the BASE Rack.

17921030 Blade Brackets & 1770020 BASE Rack shown.

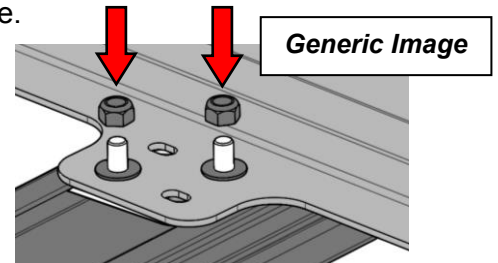


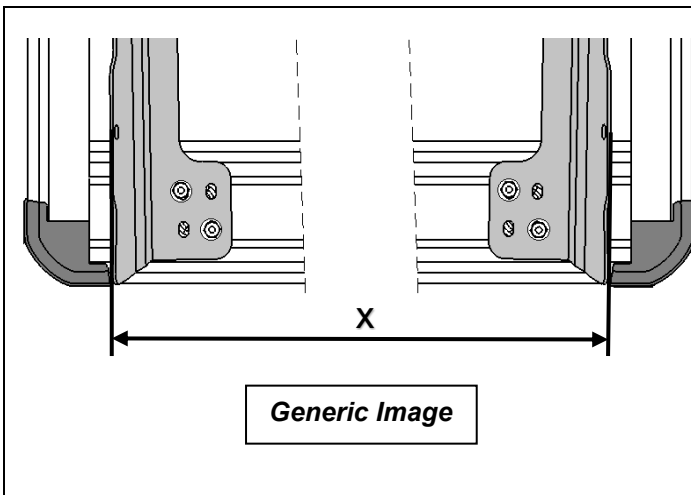
10. Insert the previously assembled stud plates into the correct BASE Rack channels. Rotate the plates 90 degrees.



11. Flip the blade brackets over so they are upside down and carefully place on top of the BASE Rack. When doing so ensure the M8 studs in the stud plates go through the slots. Then secure the blade brackets to the BASE Rack using M8 flat washers and nyloc nuts.

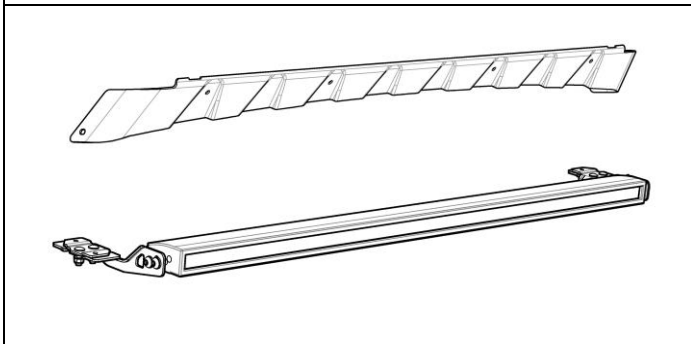
Do not fully tighten, allowing each blade to move.



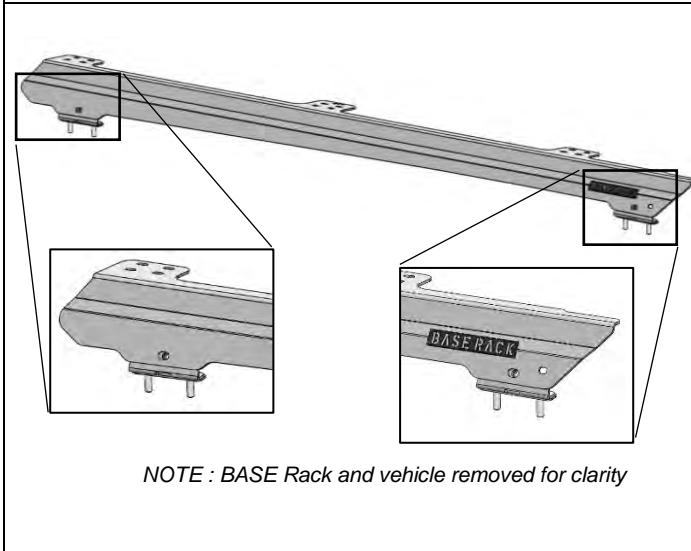


12. Using the previously recorded measurements, adjust the location of the blade bracket on the BASE Rack.

Ensure the distance between the blade bracket and the edge of the tray is the same on both sides. Fully tighten all M8 nyloc nuts to specified torque.

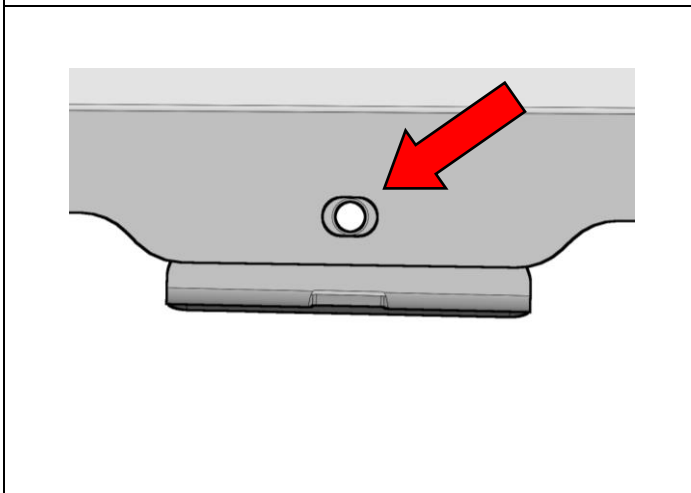


13. If fitting an air deflector or BASE Rack lightbar it should be fitted to the BASE Rack at this point. Refer to instructions provided with the air deflector or BASE Rack light bar for fitting details. (Light Bar must be mounted in forward position)

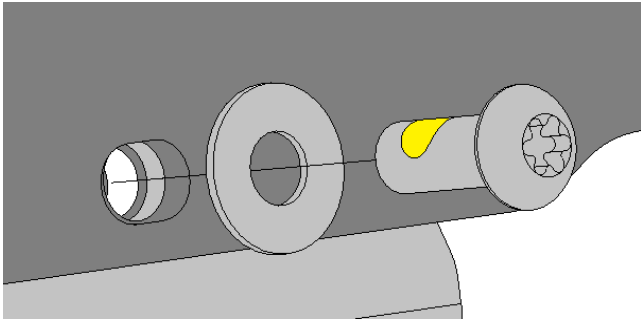


14. With assistance, carefully place the BASE Rack on the vehicle so the inside of the blade brackets rests on the outside of the mounting brackets. The entire BASE Rack assembly should be clear of the vehicle roof. All mounting holes/slots should align closely.


Note: Place protective material on roof to reduce the risk of accidental damage to vehicle when mounting the BASE Rack to the vehicle.



15. Confirm BASE Rack is correctly aligned to vehicle. If it is not it is recommended to remove the BASE Rack from the vehicle roof and repeat the mounting process from the measurement step #6.



16. Use the M8 Button head Torx screws and M8 Black washers to secure the BASE Rack to the roof mounting brackets. Tighten all screw to the specified torque.

 M8 - 22Nm

FITTED PRODUCT – 2020 TOYOTA 4RUNNER



17921030 Blade Brackets & 1770020 BASE Rack shown.