

# **ARB** **BASE RACK**

## **FITTING INSTRUCTION**

Part Number: **17950010**  
Suits Base Rack: **1770020 (1545x1285)**  
Product: **BASE RACK MOUNTING KIT**  
Suited to vehicle/s: **JEEP WRANGLER JL 2018 ON**

### NOTE THE FOLLOWING:

- Vehicle accessories which are not properly fitted can be dangerous.
- Please read these instructions carefully prior to fitting, and comply with the instructions at all times
- If in any doubt please contact your nearest ARB state office or the stockist from whom it was purchased.
- Do not use this product for any vehicle make or model, other than those specified by ARB.
- This product or its fixing must not be modified in any way.
- The installation of this product may require the use of specialized tools and/or techniques
- It is recommended that this product is only installed by trained personnel
- These instructions are correct as at the publication date. ARB Corporation Ltd. cannot be held responsible for the impact of any changes subsequently made by the vehicle manufacturer
- During installation, it is the duty of the installer to check correct operation/clearances of all components
- Work safely at all times
- Unless otherwise instructed, tighten fasteners to specified torque
- Check bolt torque after 500km & at regular service intervals

## **ARB 4x4 ACCESSORIES**

### Corporate Head Office

42-44 Garden St  
Kilsyth, Victoria  
AUSTRALIA 3137

Tel: +61 (3) 9761 6622  
Fax: +61 (3) 9761 6807

Australian enquiries

[sales@arb.com.au](mailto:sales@arb.com.au)

North & South American enquiries

[sales@arbusa.com](mailto:sales@arbusa.com)

Other international enquiries

[exports@arb.com.au](mailto:exports@arb.com.au)

---

**www.arb.com.au**

## **NET PAYLOAD FOR YOUR BASERACK**

The net payload for your BASERACK is 130kg/286lb

It is important to follow the following safety instructions;

- ◆ Maximum load per BASERACK beam is 25kg.
- ◆ Load must be evenly distributed and adequately secured.
- ◆ Any weight carried on the roof of the vehicle will adversely affect its handling, particularly in cornering or in a cross-wind, the vehicle should therefore be driven with increased discretion.
- ◆ Regularly check the tightness of the securing clamps and the security of the load.
- ◆ Attention is directed to statutory requirements regarding maximum permissible projections from vehicles.

All bolts should be checked prior to touring to ensure the tray is fastened correctly

## **GENERAL CARE AND MAINTENANCE**

By choosing an ARB BASERACK, you have bought a product that is one of the most sought after 4WD products in the world. Your BASERACK is a properly engineered, reliable, quality accessory that represents excellent value. To keep your BASERACK in original condition it is important to care and maintain it following these recommendations:

As part of any pre-trip preparation, or on an annual basis, it is recommended that a thorough visual inspection of the BASERACK is carried out, making sure that all bolts and other components are torqued to the correct specification. Replace any components as necessary.



Please contact local Authorised ARB Stockist if you would like to have this service carried out on your behalf.

## **FITTING REQUIREMENTS**

### **REQUIRED TOOLS FOR FITMENT OF PRODUCT:**

<b>Metric socket and spanner sets 8-25mm range</b>	<b>Non-acetic silicone (automotive grade)</b>
<b>Screwdrivers, Philips and Flat blade</b>	<b>Metric drill set up to Ø11mm</b>
<b>Short Body Power Drill</b>	<b>Marking pen</b>
<b>Torque Wrench (9-102Nm)</b>	<b>Stanley knife and scissors</b>
<b>Half round file</b>	<b>Wide masking tape</b>
<b>Metric hex &amp; torx key set</b>	

### **HAVE AVAILABLE THESE SAFETY ITEMS WHEN FITTING PRODUCT:**

<b>Protective eyewear</b>		<b>Hearing protection</b>	
---------------------------	---	---------------------------	---

***NOTE: 'WARNING' notes in the fitting procedure relate to OHS situations, where to avoid a potentially hazardous situation it is suggested that protective safety gear be worn or a safe work procedure be employed. If these notes and warnings are not heeded, injury may result.***


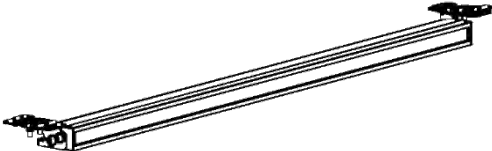
### **FASTENER TORQUE SETTINGS:**

<b>SIZE</b>	<b>Torque Nm</b>	<b>Torque lbft</b>
M6	9Nm	7lbft
M8	22Nm	16lbft
M10	44Nm	32lbft
M12	77Nm	57lbft

<b>PARTS LISTING</b>			
<b>APPLICATION.</b>	<b>PART NO.</b>	<b>QTY</b>	<b>DESCRIPTION</b>
<b>FRONT MOUNTING</b>	3752123R	1	BRACKET FRONT RH
	3752123L	1	BRACKET FRONT LH
	4721817	6	TUBE CRUSH 12.6 x 17 x 60
	6151321	6	NUT FLANGE M10
	6151709	6	SCREW BTN HD M10
	6151381	6	BOLT M10 x 1.5 x 80
	6151359	6	NUT NYLOC M10
	4584344	18	WASHER FLAT M10
<b>REAR MOUNTING</b>	4654566R	1	WELD ASSY REAR ROOF RACK RH JL
	4654566L	1	WELD ASSY REAR ROOF RACK LH JL
	3752122R	1	BRKT MNT REAR RH ROOF RACK JL
	3752122L	1	BRKT MNT REAR LH ROOF RACK JL
	6582434	2	CLAMP FRAME 35
	6151173	8	NUT FLANGE M6
	6151443	8	SCREW BTN HD M6
	6151709	4	SCREW BTN HD M10
	6151359	4	NUT NYLOC M10
	6151342	2	SCREW 12G 20LG SL
4584344	8	WASHER FLAT M10	
<b>ROOF RAILS</b>	3750567R	1	BRKT BLADE BR RH SUITS JL
	3750567L	1	BRKT BLADE BR LH SUITS JL
	3195184	6	PLATE STUD RT M8
	6151916	12	BOLT COHD M8X25   ZNB480 DP
	4581085	12	WASHER FLAT M8x19x1.2   ZNB480
	6151212	12	NUT HEX NYLOC M8x1.25   ZNB480
<b>MISCELLANEOUS</b>	5848487	10	PACKER RUBBER GASKET
	2125810	2	STKR BASE RACK 18x110mm

### Air Deflector and Base Rack Light Bar

An air deflector or BASERACK Light Bar can be fitted to the front edge of the BASERACK. Refer to the table below for the correct part number. The light bar will not fit underneath the base rack on JL, hence will need to be fitted in the forward position. Refer to the instructions provided with these products for further details.

AIR DEFLECTOR		<b>17950020</b>
BASE RACK LIGHT BAR		<b>1780500</b>



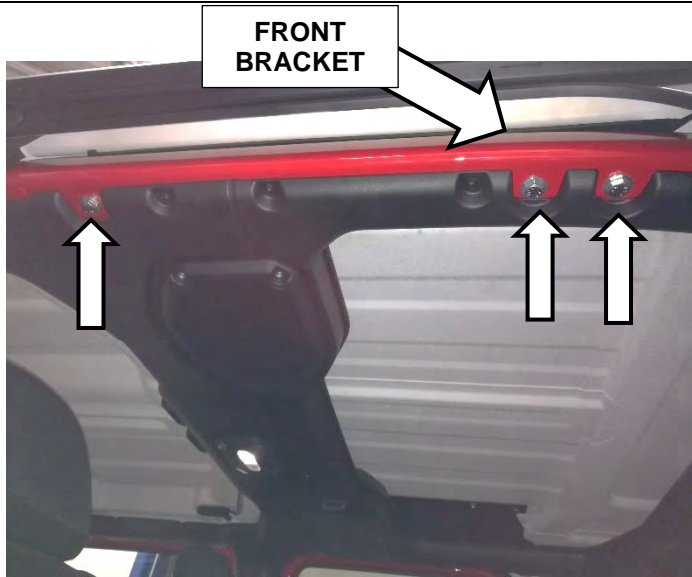
1. Unlatch 4 latches on each side of the freedom panels.
2. Remove freedom panels



3. Open the rear passenger doors and locate the 2 holes shown within the roll bar of the vehicle above the rear seats.

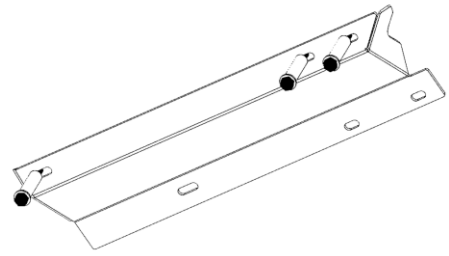



4. Locate the front hole shown within the roll bar of the vehicle approximately located above front seat head rest.
5. With the help of another person, detach hard top roof from vehicle and set aside along with fasteners. (There are 8 bolts to be removed, 2 front & 6 back)
6. Carefully drop and position 6x crush tubes through the top opening at hole locations specified on both sides in steps 3 & 4.

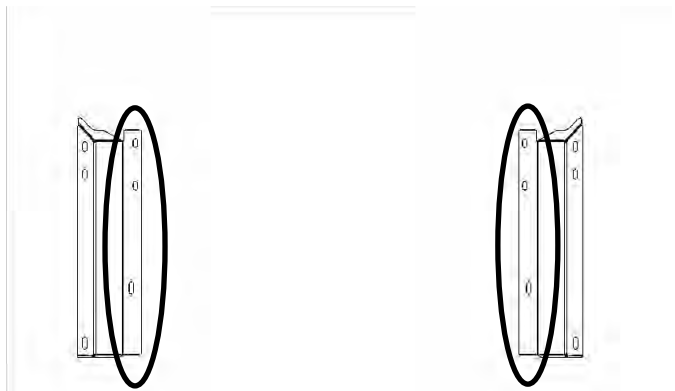


LH SHOWN, RH OPPOSITE

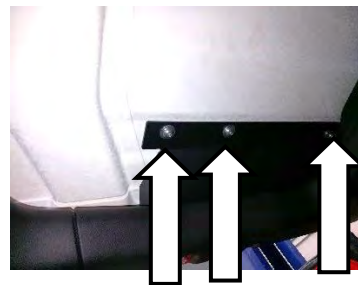
7. Fasten front bracket above roll bar as shown using 6x M10x1.5x80mm, 6x M10 flat washers & 6x M10 flange nuts.



 M10 - 44Nm (32lbft)



8. With the help of another person, re-position hard top roof to vehicle however do not fully attach as it will be removed again shortly.
9. Looking upwards, mark forward 6 centre hole positions (3 per side) onto inside of roof using slots in mount brackets as guides for front mounts.



LH SHOWN, RH OPPOSITE

10. Remove roof from vehicle once again and carefully drill 6x Ø 11mm holes at positions marked in previous step using an 11mm drill bit and file away any burrs.
11. Reposition roof as per manufacturers recommendations.

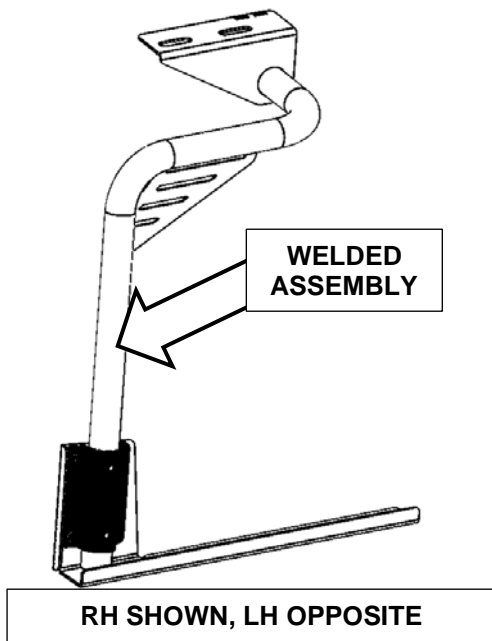




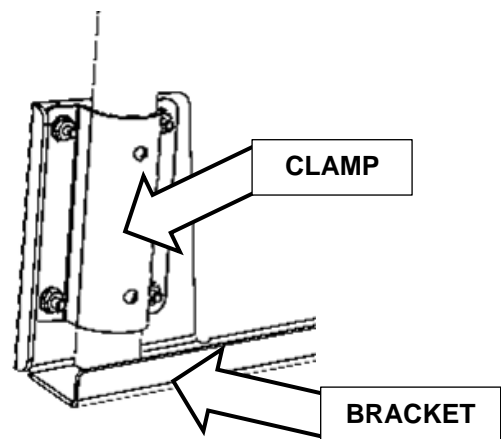
12. Attach roof rack blades using the front three holes.
13. Once blades are positioned equally on both sides, temporarily tighten the nuts to clamp blade in place.
14. With blade positioned, mark 4 rearward holes (2 per side) using the blade as a template.



15. Remove blades. Drill  $\text{\O}11\text{mm}$  holes in 4 places as marked in previous step.

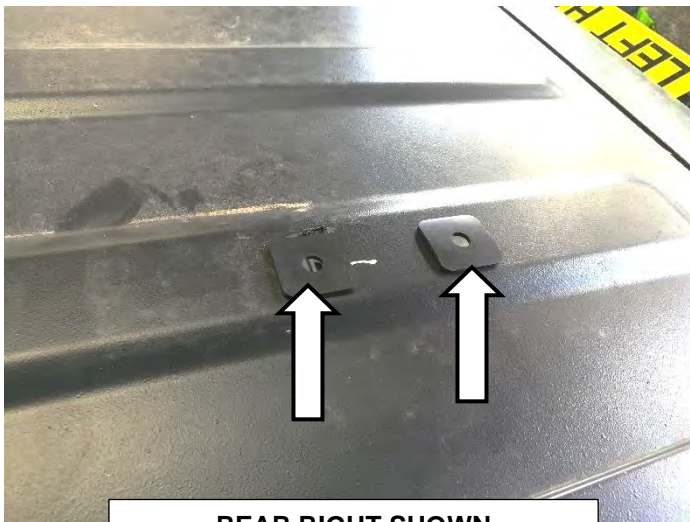


16. Loosely assemble rear mount bracket and welded tube assembly using clamp and M6 hardware supplied in kit.





17. Loosely fasten assembly at rear of vehicle as shown using existing hardware removed in step 5.

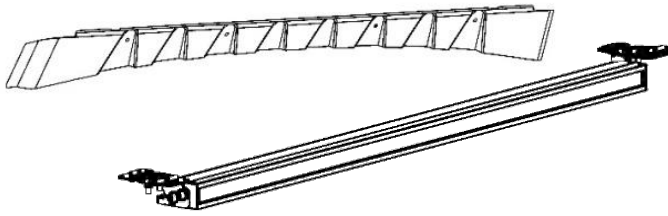


REAR RIGHT SHOWN

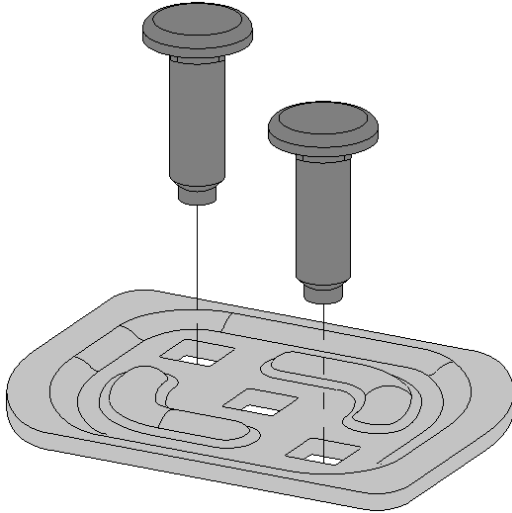
18. Apply a bead of non-acetic silicone to both sides of gasket around bolt hole.
19. Position 10x rubber gaskets directly on top of holes drilled in roof and position both blades directly on top of gaskets aligning holes.



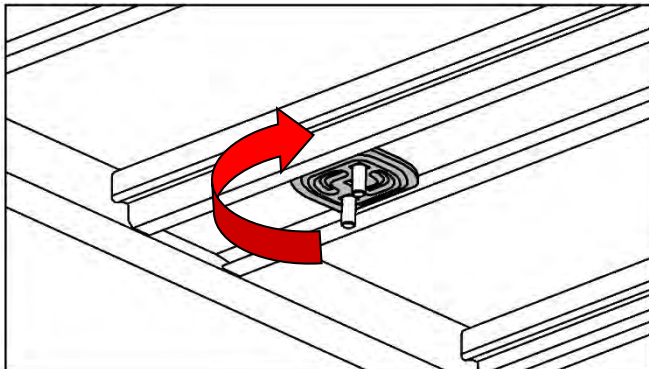
20. Loosely fasten rails to front and rear brackets using 10x M10 Button Head bolts, 20x M10 flat washers & 10 x M10 Nyloc nuts.
- Note:** 2x Button head bolts located at centre of each blade will need to be fed upwards (button head inside the cabin – for occupant safety).



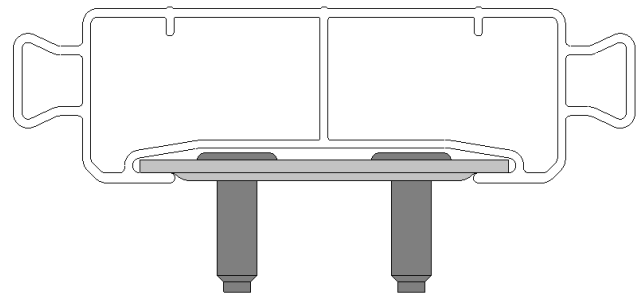
21. If fitting an air deflector or BASERACK lightbar it should be fitted to the BASERACK at this point. Refer to instructions provided with the air deflector or BASERACK light bar for fitting details. (light bar must be mounted in forward position)



22. Insert 2, M8 x 25 Studs into each of the Stud Plates as shown.



23. Insert the previously assembled stud plates into the correct BASE RACK channels. Rotate the plates 90 degrees.









24. With assistance, carefully place the BASERACK on the mounting blades, aligning coach bolts with holes in blades. The entire BASERACK assembly should be clear of the vehicle roof.


**Note:** Place protective material on roof to reduce the risk of accidental damage to vehicle when mounting the BASERACK to the vehicle.

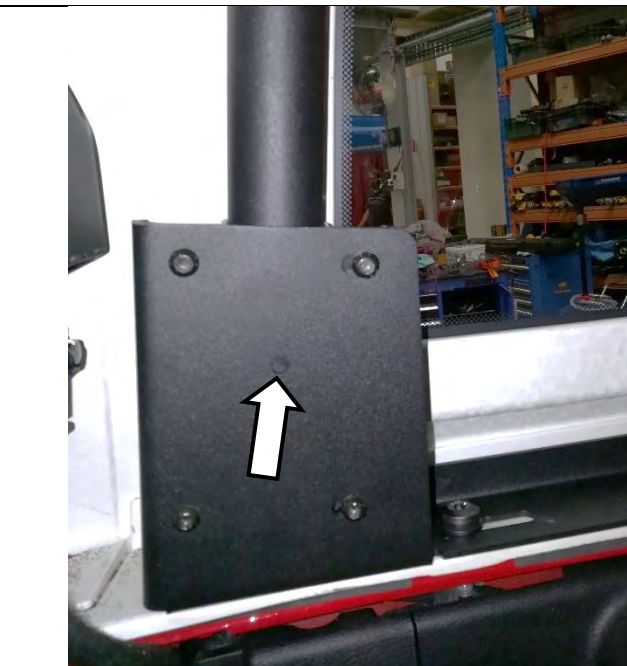


25. Confirm BASERACK is correctly aligned to vehicle.
26. Tighten all fasteners beginning with inner brackets and then proceeding to blades and rack.

 M6 - 9Nm (7lbft)

 M8 - 22Nm (16lbft)

 M10 - 44Nm (32lbft)



27. Drill a 4mm hole into rear mounting tube as shown using 4mm drill bit and repeat on opposite side.
28. Screw 2x 12G self-tapping screws into positions drilled.





29. With BASE Rack fully assembled, replace freedom panels.

**FITTED PRODUCT**  
**LOAD TO NOT EXCEED 130kg**  
**RE-TORQUE FASTENERS AFTER 1000kms**

