



# FITTING INSTRUCTIONS

Part Number: 3412620 W/BAR LC79 08/22 ON 60.3 MT BK W/FLR SFTY SENS AF20 8-10  
3412630 W/BAR LC79 08/22 ON 60.3 MT BK N/FLR SFTY SENS AF20 8-10  
3412650 W/BAR LC76/8/9 08/22 ON 60.3 W/FLR SFTY SENS AF20 8-10  
3412660 W/BAR LC76/8/9 08/22 ON 47.5 W/FLR SFTY SENS 9/9.5/Z8/10  
3412670 W/BAR LC76/8/9 08/22 ON 47.5 N/FLR SFTY SENS 9/9.5/Z8/10

Suited to vehicle/s: TOYOTA LANDCRUISER 70 SERIES 2007 ON

Optional Fitting Kit: 3500910 – ARB LED FOG LIGHT KIT– LRG  
3500520 – ARB AUX FOG LIGHT LOOM–(NON FACTORY FOG LAMP VEHICLES)  
3500680 – FOG LAMP HOUSING CLEAR LENS KIT.  
3512040 – STONE SHIELD AND RADIATOR GUARD.  
3512140 – LC70 WINCH FIT KIT 08/22 ON

## WARNING

### REGARDING VEHICLES EQUIPPED WITH SRS AIRBAG:

When installed in accordance with these instructions, the front protection bar does not affect operation of the SRS airbag.

### ALSO, NOTE THE FOLLOWING:

- ◆ This product must be installed exactly as per these instructions using only the hardware supplied.
- ◆ In the event of damage to any bull bar component, contact your nearest authorised ARB stockist. Repairs or modifications to the impact absorption system must not be attempted.
- ◆ Do not use this product for any vehicle make or model, other than those specified by ARB.
- ◆ Do not remove labels from this bull bar.
- ◆ This product or its fixing must not be modified in any way.
- ◆ The installation of this product may require the use of specialized tools and/or techniques.
- ◆ It is recommended that this product is only installed by trained personnel.
- ◆ These instructions are correct as at the publication date. ARB Corporation Ltd. cannot be held responsible for the impact of any changes subsequently made by the vehicle manufacturer.
- ◆ During installation, it is the duty of the installer to check correct operation/clearances of all components.
- ◆ Work safely at all times.
- ◆ Unless otherwise instructed, tighten fasteners to specified torque.

# ARB 4x4 ACCESSORIES

## Corporate Head Office

42-44 Garden St  
Kilsyth, Victoria  
AUSTRALIA 3137

Tel: +61 (3) 9761 6622  
Fax: +61 (3) 9761 6807

Australian enquiries  
North & South American enquiries  
Other international enquiries

sales@arb.com.au  
sales@arbusa.com  
exports@arb.com.au

[www.arb.com.au](http://www.arb.com.au)

## GENERAL CARE AND MAINTENANCE

By choosing an ARB Bar, you have bought a product that is one of the most sought after 4WD products in the world. Your bar is a properly engineered, reliable, quality accessory that represents excellent value. To keep your bar in original condition it is important to care and maintain it following these recommendations:



- Prior to exposure to the weather your bar should be treated to a Carnuba based polish on all exposed surfaces. It is recommended that this is performed on a six-monthly basis or following exposure to salt, mud, sand or other contaminants.
- As part of any pre-trip preparation, or on an annual basis, it is recommended that a thorough visual inspection of the bar is carried out, making sure that all bolts and other components are torqued to the correct specification. Also check that all wiring sheaths, connectors, and fittings are free of damage. Replace any components as necessary. This service can be performed by your local authorized ARB Stockist.

## FITTING REQUIREMENTS

### REQUIRED TOOLS FOR FITMENT OF PRODUCT:

METRIC SOCKET SET	METRIC RING AND OPEN ENDED SPANNER SET
ELECTRIC DRILL 13MM CAPACITY	12mm DRILL BITS
SMALL EXT CIR CLIP PLIERS	PHILLIPS AND FLAT HEAD SCREWDRIVER SET
TAPE MEASURE OR STEEL RULER	FELT TIP MARKER PEN
TORQUE WRENCH	DIGITAL ANGLE GAUGE
4MM ALLEN KEY	

### HAVE AVAILABLE THESE SAFETY ITEMS WHEN FITTING PRODUCT:

Protective eyewear 	Hearing protection 
--	--

**NOTE: 'WARNING' notes in the fitting procedure relate to OHS situations, where to avoid a potentially hazardous situation it is suggested that protective safety gear be worn or a safe work procedure be employed. If these notes and warnings are not heeded, injury may result.**

**FASTENER  TORQUE SETTINGS:**

SIZE	Torque Nm	Torque lbft
M6	9Nm	7lbft
M8	22Nm	16lbft
M10	44Nm	32lbft
M10 PC10.9	54Nm	40lbft
M12 Gr 8.8	77Nm	57lbft
M12 PC 11.9	112Nm	82lbft

## 3412620/3412630

### SINGLE CAB PARTS LISTING

APPLICATION.	PART NO.	QTY	DESCRIPTION
BULL BAR TO CHASSIS	5848414	2	PACKER SIDE LC70 SERIES
	5848448	2	PACKER INBOARD LC79 9/16ON
	5848357	4	PACKER 78 SERIES BAR
	5848419	2	PACKER TOP/BOTTOM 4mm LC70
	6151686	8	BOLT HXHD M10x1.25x30   FT PC10.9 TZP480
	4584366	8	WASHER FLAT M10X30X4   HV300 TZP480
	6151814	2	BOLT HXHD FL M12x1.25x170   PC11.9 ZAB1000
	4584377	4	WASHER FLAT M12X30X5
	6151835	2	NUT HEX NYLOC M12X1.25   PC10.9
INDICATORS TO BULL BAR	6821287	1	LAMP KIT LED   INDICATOR CLEARANCE
	6821116	4	GROMMET NYLON SQUARE   SNAP IN TYPE
FOG LAMP HOUSINGS TO BULL BAR	3163082	1	KIT SURROUND ARB FOGLIGHT
RADAR CONTROL MODULE FITMENT	3163339	1	RADAR COVER   SUITS LC76 - 79 MY 22 ON
	3755071	1	LC70 TSS RADAR BRKT
	3755047	1	LC70 TSS RADAR MOUNT BRKT
	6151223	6	NUT HEX NYLOC M6X1.0   ZNB480
	4584327	14	WASHER FLAT M6X16X1.2   BTZP480
	6151561	2	NUT FLANGE M6X1.0   BTZP480
	6151443	2	SCREW BHD M6x20   BLK
	6151459	4	SCREW BHD M6x16   BTZP480
	6151525	2	SCREW BHD M6x1.0x25   BZP
	6821189	4	GROMMET RND FL 1500 080 090
	6151384	4	SCREW ST PHD 5.2x16   PH PC8.8 BTZP480
	5848302	2	PACKER RBAR NYLON
	6821456	1	RADAR HARNESS EXTENSION
NUMBER PLATE FITMENT	3755048	1	NUMBER PLATE BRKT   WINCH FIT KIT 70 SERIES
	6151975	4	SCREW BTN HD M6 X 12 SS
	4581304	4	WASHER FLAT M6   SS
	6151128	4	NUT FLANGE M6X1.0   ZP
	6151459	2	SCREW BHD M6x16   BTZP480
	4584329	2	WASHER FLAT M6X12.2X1.2   BTZP480
	6151561	2	NUT FLANGE M6X1.0   BTZP480

REFITMENT OF TOW HOOK	4581011	4	WASHER FLAT M12X27X4
WINCH AND CONTROL BOX FITMENT (REQUIRES KIT 3512140)	180302	4	CABLE TIE 4.8 X 180 MM
	3755049L&R	1L1R	NUMBER PLATE MOUNT BRKT LHS/RHS
	3756499	1	BRACKET CONTROL BOX MNT MULTI FIT
	4581040	4	WASHER FLAT M10 x 25 x 3   TZP480
	4584327	4	WASHER FLAT M6X16X1.2   BTZP480
	4584329	8	WASHER FLAT M6X12.2X1.2   BTZP480
	4584393	4	WASHER FLAT M8x19x2   HV300 BTZP480
	5848302	2	PACKER RB NYLON
	6151074	2	BOLT HXHD 3/8 UNCx1 3/4
	6151223	2	NUT HEX NYLOC M6X1.0   ZNB480
	6151443	2	SCREW BHD M6x20   BLK
	6151459	8	SCREW BHD M6x16   BTZP480
	6151547	2	NUT HEX NYLOC 8x1.25   PC8.8 BTZP480
	6151561	8	NUT FLANGE M6X1.0   BTZP480 SERRATED
	6151684	2	SCREW HXHD M8x1.25x30   PC8.8 BTZP480
EG50	2	RUBBER GROMMET	

## 3412650 / 3412660 / 3412670

### DUAL CAB PARTS LISTING

APPLICATION.	PART NO.	QTY	DESCRIPTION
BULL BAR TO CHASSIS	5848414	4	PACKER SIDE LC70 SERIES
	5848357	4	PACKER 78 SERIES BAR
	5848419	2	PACKER TOP/BOTTOM 4mm LC70
	6151686	8	BOLT HXHD M10x1.25x30   FT PC10.9 TZP480
	4584366	8	WASHER FLAT M10X30X4   HV300 TZP480
	6151249	2	BOLT HXHD FL M12x1.25x170   PC11.9 ZAB1000
	4584377	4	WASHER FLAT M12X30X5
	6151528	2	NUT HEX NYLOC M12X1.75   PC10.9 ZP
INDICATORS TO BULL BAR	6821287	1	LAMP KIT LED   INDICATOR CLEARANCE
	6821116	4	GROMMET NYLON SQUARE   SNAP IN TYPE
FOG LAMP HOUSINGS TO BULL BAR (NOT INCLUDED IN 3412670)	3163082	1	KIT SURROUND ARB FOGLIGHT

RADAR CONTROL MODULE FITMENT	3163339	1	RADAR COVER   SUITS LC76 - 79 MY 22 ON
	3755071	1	LC70 TSS RADAR BRKT
	3755047	1	LC70 TSS RADAR MOUNT BRKT
	6151223	6	NUT HEX NYLOC M6X1.0   ZNB480
	4584327	14	WASHER FLAT M6X16X1.2   BTZP480
	6151561	2	NUT FLANGE M6X1.0   BTZP480
	6151443	2	SCREW BHD M6x20   BLK
	6151459	4	SCREW BHD M6x16   BTZP480
	6151525	2	SCREW BHD M6x1.0x25   BZP
	6821189	4	GROMMET RND FL 1500 080 090
	6151384	4	SCREW ST PHD 5.2x16   PH PC8.8 BTZP480
	5848302	2	PACKER RBAR NYLON
	6821456	1	RADAR HARNESS EXTENSION
	NUMBER PLATE FITMENT	3755048	1
6151975		4	SCREW BTN HD M6 X 12 SS
4581304		4	WASHER FLAT M6   SS
6151128		4	NUT FLANGE M6X1.0   ZP
6151459		2	SCREW BHD M6x16   BTZP480
4584329		2	WASHER FLAT M6X12.2X1.2   BTZP480
6151561		2	NUT FLANGE M6X1.0   BTZP480
REFITMENT OF TOW HOOK	4581011	4	WASHER FLAT M12X27X4
WINCH AND CONTROL BOX FITMENT (REQUIRES KIT 3512140)	180302	4	CABLE TIE 4.8 X 180 MM
	3755049L&R	1L1R	NUMBER PLATE MOUNT BRKT LHS/RHS
	3756499	1	BRACKET CONTROL BOX MNT MULTI FIT
	4581040	4	WASHER FLAT M10 x 25 x 3   TZP480
	4584327	4	WASHER FLAT M6X16X1.2   BTZP480
	4584329	8	WASHER FLAT M6X12.2X1.2   BTZP480
	4584393	4	WASHER FLAT M8x19x2   HV300 BTZP480
	5848302	2	PACKER RB NYLON
	6151074	2	BOLT HXHD 3/8 UNCx1 3/4
	6151223	2	NUT HEX NYLOC M6X1.0   ZNB480
	6151443	2	SCREW BHD M6x20   BLK
	6151459	8	SCREW BHD M6x16   BTZP480
	6151547	2	NUT HEX NYLOC 8x1.25   PC8.8 BTZP480
	6151561	8	NUT FLANGE M6X1.0   BTZP480 SERRATED
	6151684	2	SCREW HXHD M8x1.25x30   PC8.8 BTZP480
	EG50	2	RUBBER GROMMET

## FITTING PROCEDURE: PREPARATION TO VEHICLE



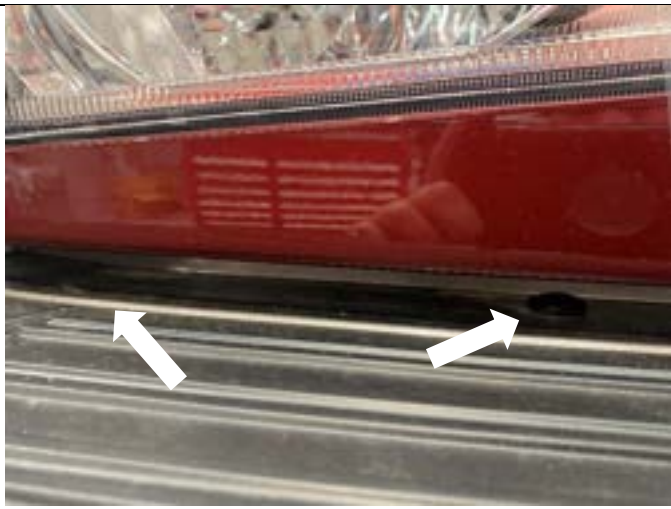
1. Remove two bumper cover retaining bolts. One on each side of the vehicle.



2. Remove four retaining bolts on the underside of the bumper.



3. Remove two nuts from the corner of the bumper cover under each wheel arch.



4. Remove five plastic clips on the top face of the bumper cover and remove bumper.
5. If vehicle is fitted with factory fog lights remove loom and lights before discarding bumper.



6. Remove four hex bolts from the top of the steel bumper structure over each chassis rail.
7. Remove four M10 hex bolts on each side of the bumper bar and remove the steel support structure.
8. Remove M12 chassis bolts and remove chassis crush cans



9. Remove four hex bolts holding the plastic stone shield. Retain the stone shield and the retaining bolts.
10. Remove bolt on tow hook. Retain the tow hook and bolts.



11. When complete, the vehicle should be presented as shown.



**IF VEHICLE IS NOT FITTED WITH FORWARD FACING RADAR, PROCEED TO STEP 18.**

12. Remove four screws located on the top of the front grille.

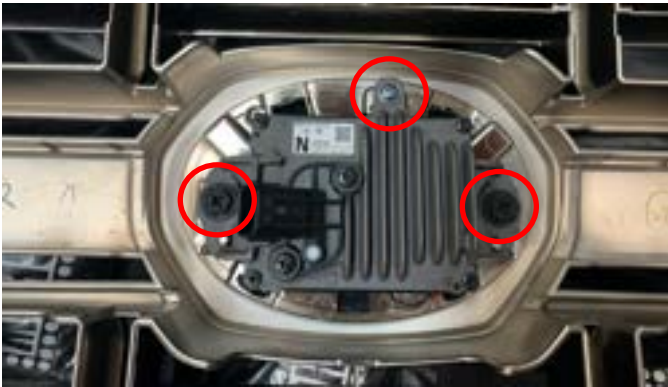


13. Remove the grille by unclipping retaining mechanism located at the inside bottom corner of the grille.





14. Pull the grille forward and unplug the radar module located behind the Toyota badge.



15. Place the grille face down on a soft surface, remove radar using a Phillips head screwdriver and place in a safe spot

**Warning: Care must be taken not to damage radar module.**

16. Fit grille back onto vehicle. Make sure to clip in the retaining mechanism first.



17. Plug the provided radar extension loom into the vehicle radar loom and feed underneath grille.



18. Remove the vehicle's plastic indicator access covers (RH & LH), located underneath the indicators to reveal indicator plug.



19. Unplug parking lamp loom from behind vehicle head lamp.



20. Strip and solder the LED indicator/clearance loom to the vehicle. Seal joint with heat shrink.

**(See table for wire colours).**

21. Allow the LED Looms (6821286) to hang freely for connecting to the bull bar LED's.

22. Refit the plastic covers which were removed earlier.

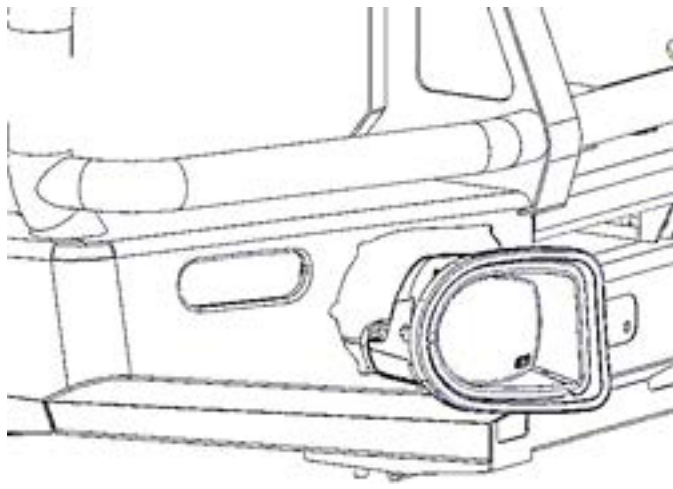
FUNCTION	INDICATOR HARNESS	VEHICLE LOOM	
		RIGHT	LEFT
INDICATOR	GREEN	GREEN / YELLOW	GREEN / BLACK
PARK	RED	RED	GREEN
EARTH	BLACK	WHITE/BLACK	WHITE/BLACK

**IF VEHICLE HAS FACTORY FOG LAMPS SKIP TO STEP 25**

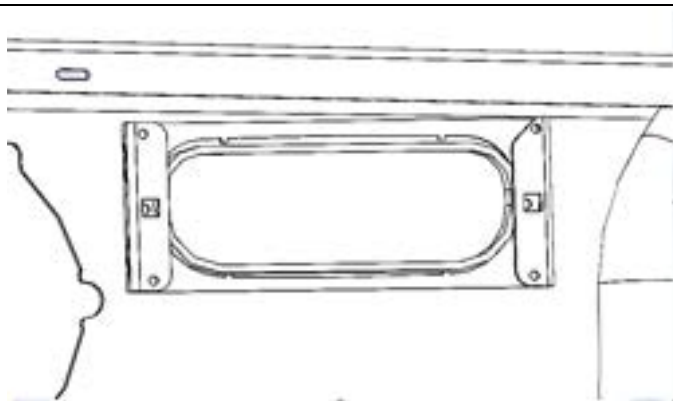
**IF FITTING BULL BAR 3412670 SKIP TO STEP 26**



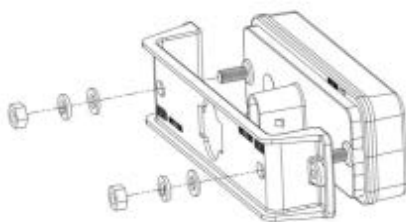
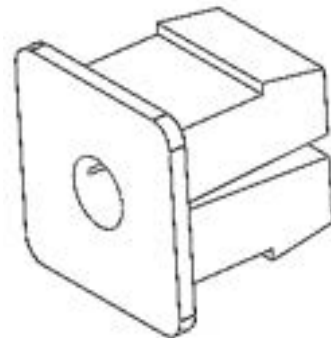
23. Connect RH & LH Fog Lamp wiring using Fog Lamp Wiring Loom kit – 3500520.
24. Allow the Fog Lamp looms to hang freely for connection to the bull bar Fog Lamps.



25. Fit fog lamp housings (3163082) into the bull bar fog lamp cut outs as shown. (RH Shown). Refer to fitting instructions (3789190) supplied in foglamp housing kit (3163082).



26. Install Nylon plugs (6821116). (4 off) Into Clearance Light/Turn Signal Brackets. (RH Shown).



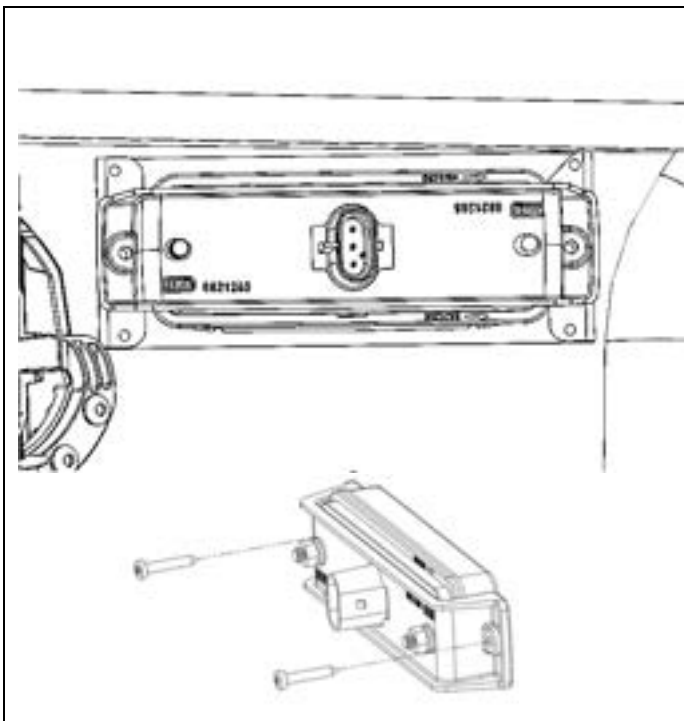
27. Install 6821285 bracket onto LED lamp with two flat washers, two spring washers and two M6 nuts as shown.

**Torque to specification.**



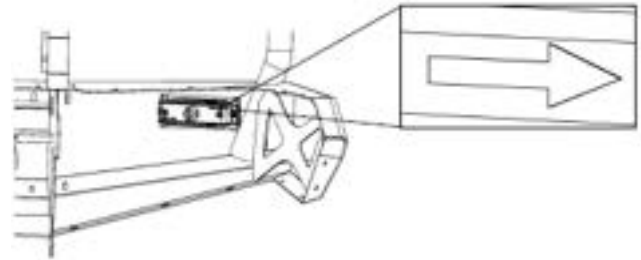
M6 - 3 Nm.

**NOTE: Do not over-tighten.**



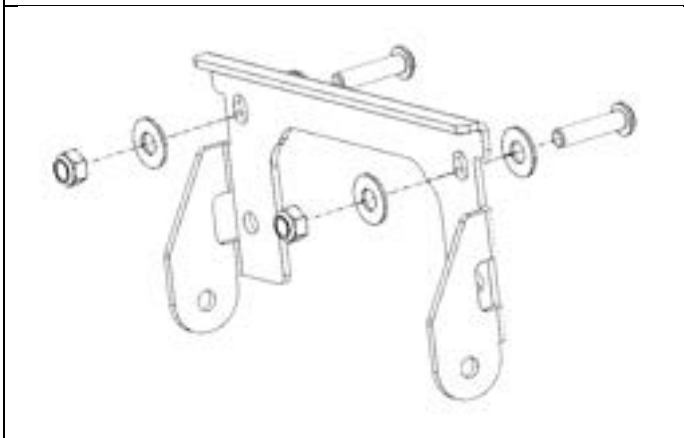
28. Install LED lamp with bracket into bull bar using 2 x 15mm mounting screws provided. (RH Shown).

**IMPORTANT:** The side clearance LEDs must be on the outboard side of the bull bar. To achieve this, position lamp with arrows facing outside of vehicle as shown below.



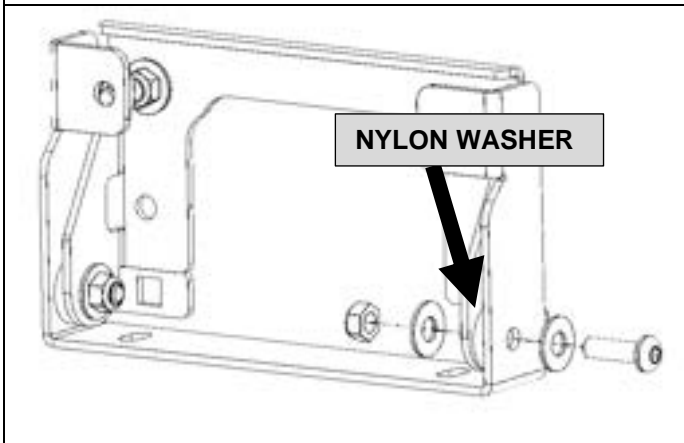
**REPEAT STEPS 25-28 FOR LHS**

### FITMENT OF RADAR BRACKETRY



***If not fitting radar module, proceed to Step 32.***

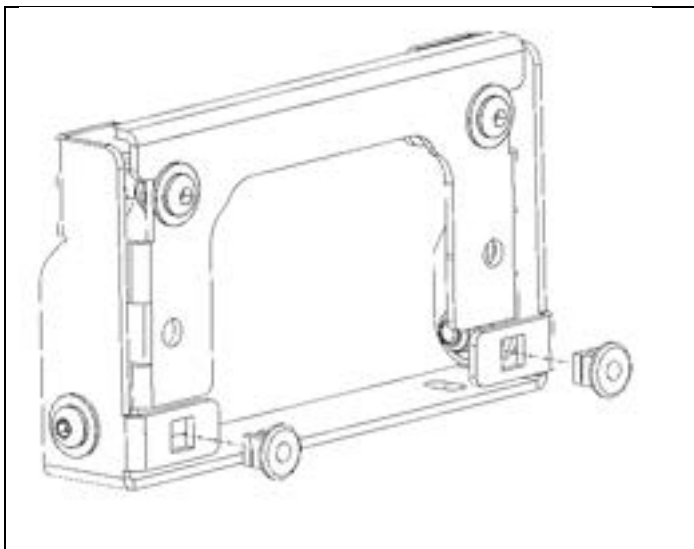
29. Install two M6x25mm button head screws, four 16mm M6 washers and two M6 nyloc nuts into the slotted holes of radar bracket 3755071 as shown. Do not overtighten nuts, screws need to be free to spin.



30. Attach the radar bracket to the mounting bracket using two M6x20mm button head screws, four 16mm M6 washers, two M6 nyloc nuts and two 20mm nylon spacers.

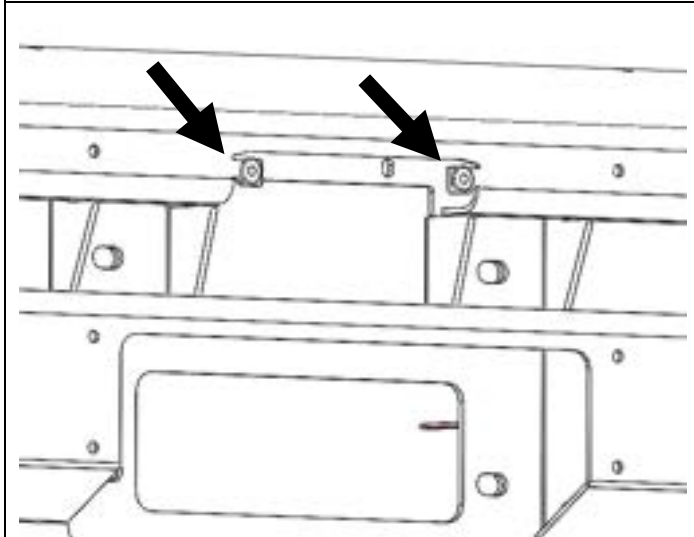
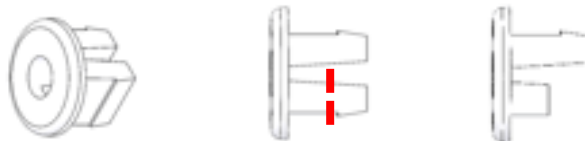
Ensure nylon spacer is placed between steel components

31. Thread screws installed in step 29 into weld nuts. This will enable adjustment of radar bracket.

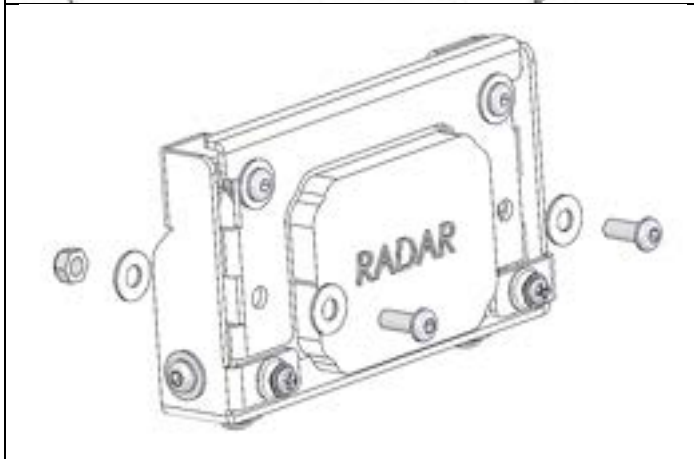


32. Install two snap in grommets into square holes on the front of the bracket assembly.

33. If fitting radar, trim one side of grommet as shown to avoid interference with radar module.



34. Install two snap in grommets into the square holes on the front of the bull bar as shown.



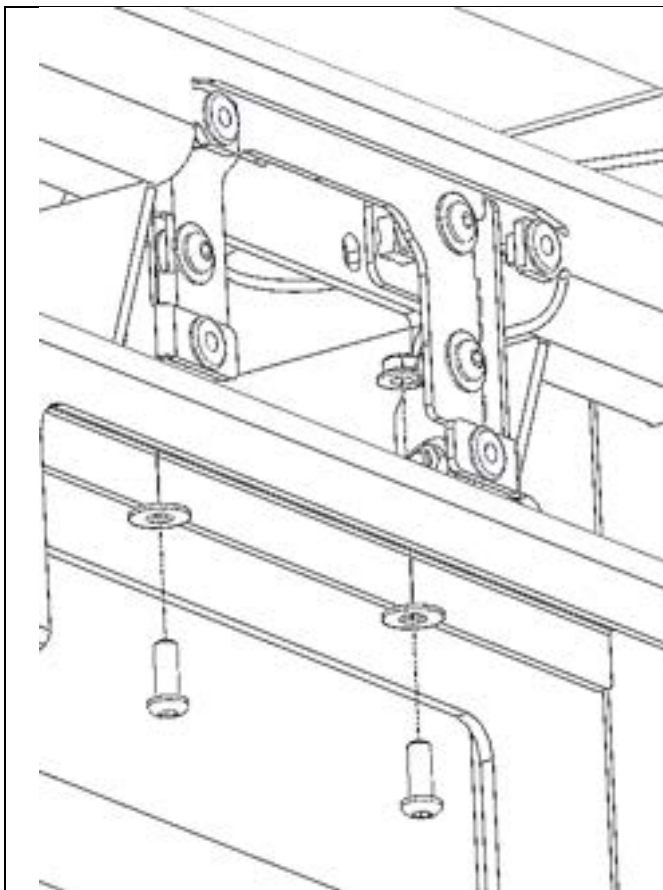
***If not fitting radar module, proceed to Step 36.***

35. Install radar module removed in step 15 into radar bracket assembly using two M6x16mm button head screws, four 16mm M6 washers and two M6 nyloc nuts.



M6 - 9 Nm.

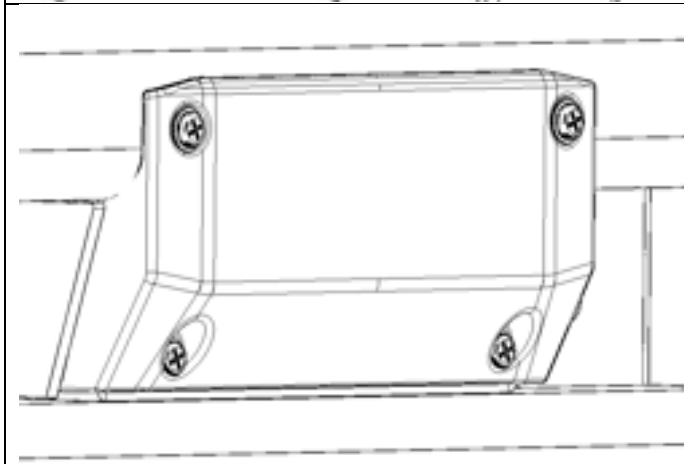
***Warning: Care must be taken not to damage radar module.***



36. Insert radar bracket into the bull bar from the front and secure using two M6x16mm button head screws, two 16mm M6 washers and two M6 flange nuts. **Leave screws finger tight.**

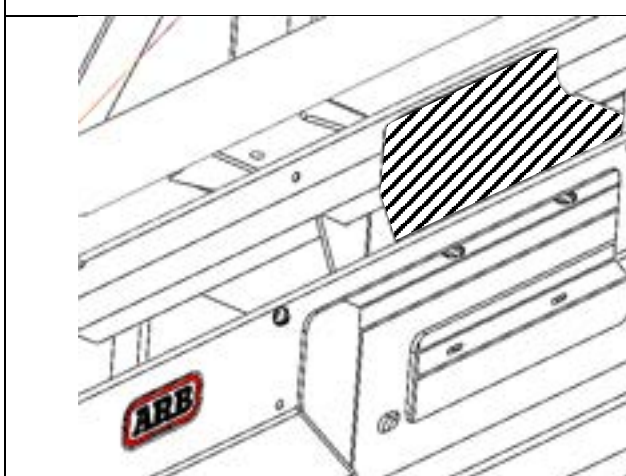
*Note: If radar module is fitted, screws must be inserted from underneath.*

*Note: Radar module not shown for clarity.*



37. Install radar cover using four Phillips head screws.

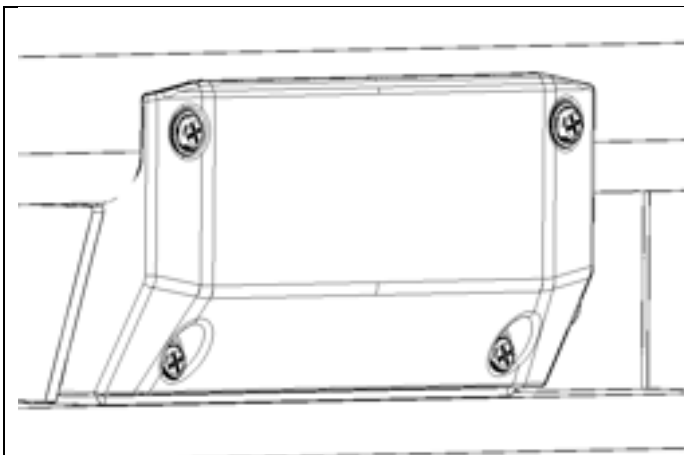
**NOTE: Do not over-tighten.**



38. Ensure radar cover fits well and there are no gaps between the cover and bull bar. Holding the cover, tighten screws from Step 36 ensuring a snug fit.

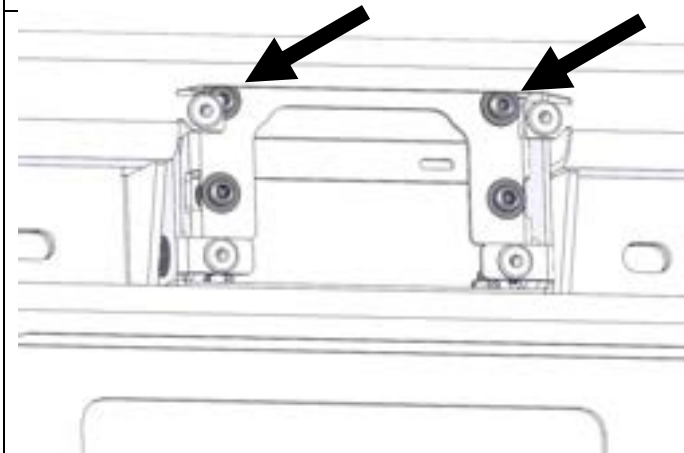


M6 - 9 Nm.

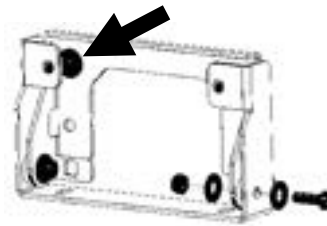


**If not fitting radar module, proceed to Step 42.**

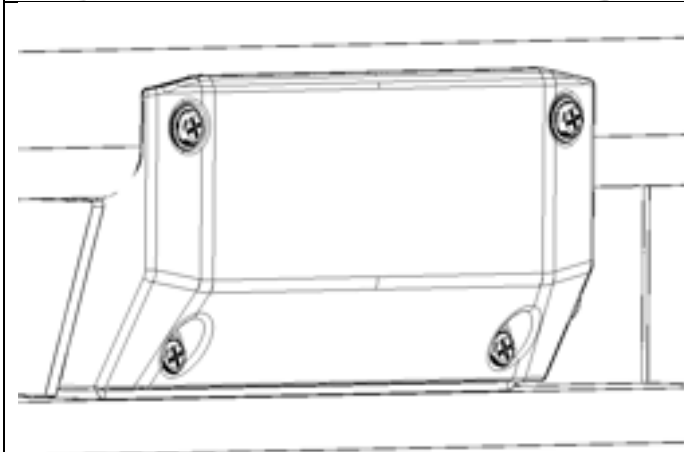
39. Remove cover fitted in Step 37 and place a digital level on the front face of the radar. The front face should be 90 degrees to level ground with a tolerance of  $\pm 1$  degree. If it is not within this tolerance, proceed to the next step. If it is within this tolerance, no further action is required and proceed to Step 42.



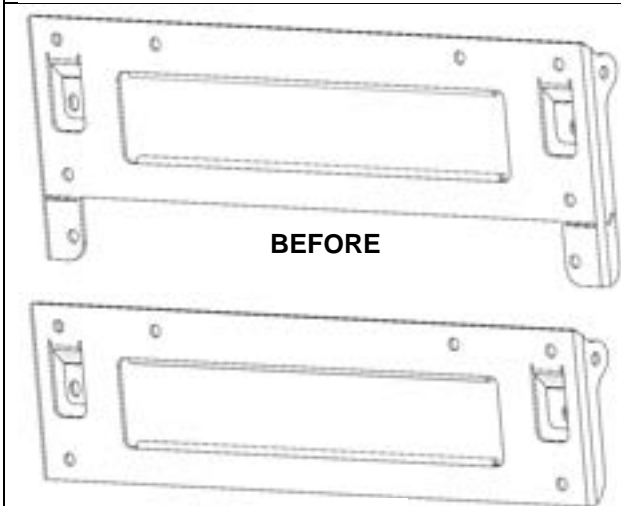
40. Using a 4mm Allen key, adjust the angle of the radar by winding the adjustment screws shown. Once radar is adjusted correctly, place a spanner on the nyloc shown below and torque to spec.



M6 - 9 Nm.



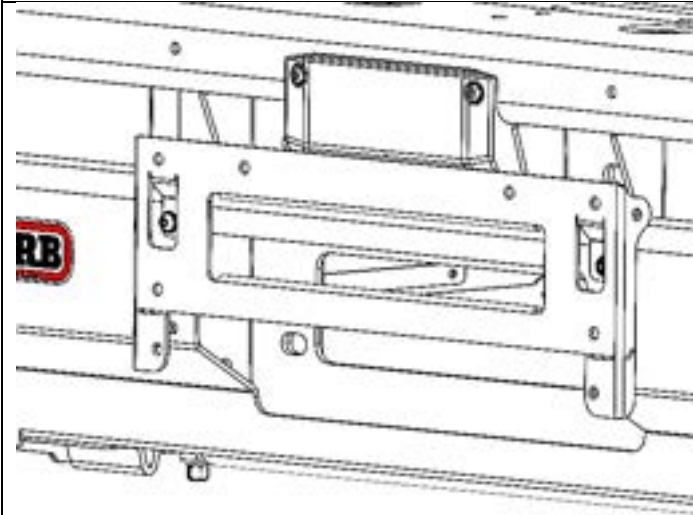
41. Replace radar cover removed in Step 39 using four Phillips head screws.



42. If fitting a **slim line number plate** cut away lower tabs of the number plate bracket as shown. Remove burrs and coat exposed steel with black, rust preventative paint.

## FITMENT OF NUMBER PLATE BRACKET

IF WINCH IS TO BE FITTED SKIP TO STEP 44.



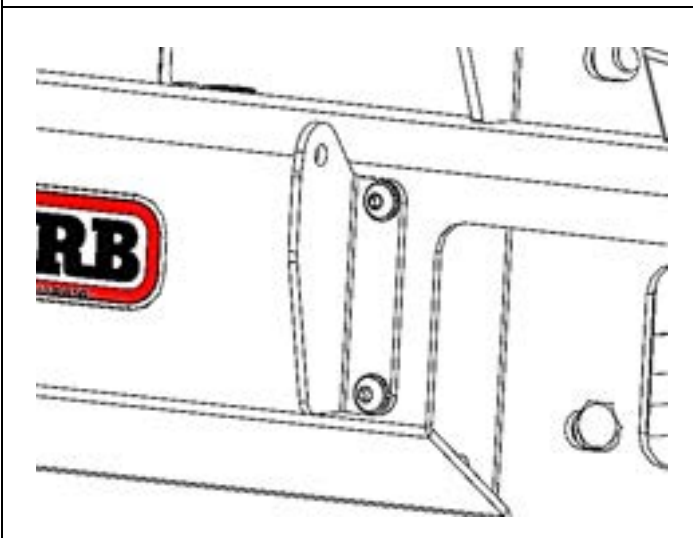
43. Fit number plate bracket using two M6x16mm button head screws, two M6 serrated flange nuts and two M6x12.2x1.2 flat washers.

## WINCH FITMENT ONLY

IF NOT FITTING WINCH SKIP TO STEP 47

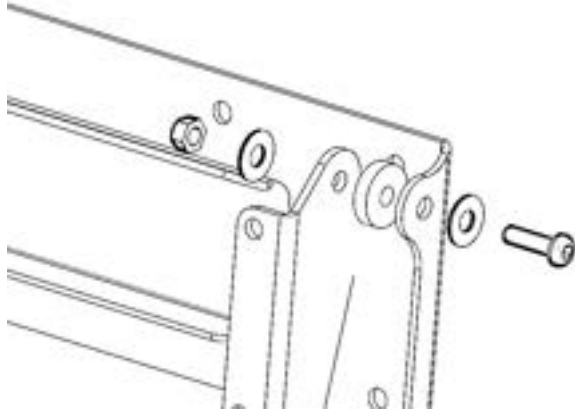
FITMENT OF WINCH REQUIRES WINCH FIT KIT 3512140

FITMENT OF WINCH WITH SYNTHETIC ROPE MAY REQUIRE (3500605) HAWSE FAIRLEAD SPACER KIT OR OFFSET HAWSE



44. Fit left and right number plate mount brackets from the winch fit kit using M6 screws, washers and flange nuts provided. Leave screws finger tight at this stage.

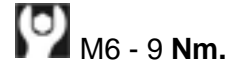




45. Fit number plate bracket to mount brackets using two M6x20mm screws, nyloc nuts, 16mm washers and nylon spacers provided.

NOTE – Adjust screws so to enable number plate to be manually lifted up but will not move on its own.

46. Once screws are tight then tighten screws from step 44.



## BULL BAR FITMENT TO VEHICLE.



47. With the help of an assistant or lifting device, lift the bull bar onto the chassis rails of the vehicle. Ensure that the radar extension loom has an appropriate pathway to the relocated radar module.

48. Align the wings with flare/quarter panel and ensure there is approximately 15mm of clearance.

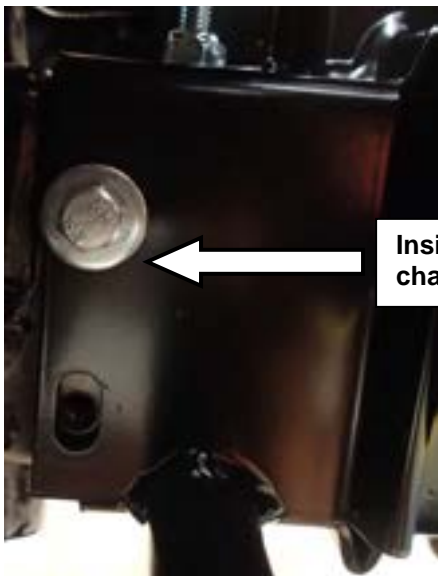


**Warning:** Due to the weight of the bar and winch if fitted, it is advised that you use some form of mechanical assistance when lifting the bar onto the vehicle such as an elevating trolley.

**Note – Generic Image Shown**



Outside of chassis



Inside of chassis



49. Align the mounting holes and fit two M12 x 170mm PC11.9 (2016+ single cab variants) or M12 x 140mm PC8.8 bolts with M12 flat washers through the chassis from the bottom. Fix with M12 flat washers, and nyloc nuts.

**NOTE: DO NOT FULLY TIGHTEN**

50. Fit six M10 x 30 mm bolts and flat washers to the vehicle. Fit two on the outside of each chassis rail. Fit one to the upper hole on the inside of each chassis rail.
51. Align the bull bar to the vehicle making sure that both sides have even gaps to the front guards (15mm approx.). Fit packers in gaps between chassis and bar mounting bracket. In some cases two packers on top of each other are required. Use the “U” shaped packers for top and bottom and the “M” shaped packer for the sides. When all packers are fitted, tighten the M12 and M10 bolts. When all bolts are tight break off packer extensions.

**Torque to specification.**



M10 FINE PC10.9 - 54 Nm.



M12 FINE PC11.9 - 112 Nm.



M12 COURSE PC8.8 - 77 Nm.

Refer to following 5 photos



52. Refit the tow hook/s to the vehicle using the original bolts removed in Step 10. Fit tow hook spacers (i.e. two 4mm thick washers 4581011) between the tow hook/s and each chassis rail/s for the two lower bolts.

**NOTE: If not refitting the tow hooks to the vehicle fit one M10 x 30 mm bolt, flat washer and spring washer to the lower inside holes of each chassis rail.**

53. Refit the factory stone shield removed in Step 9.

**Torque to specification.**



M10 FINE PC10.9 - 54 Nm.

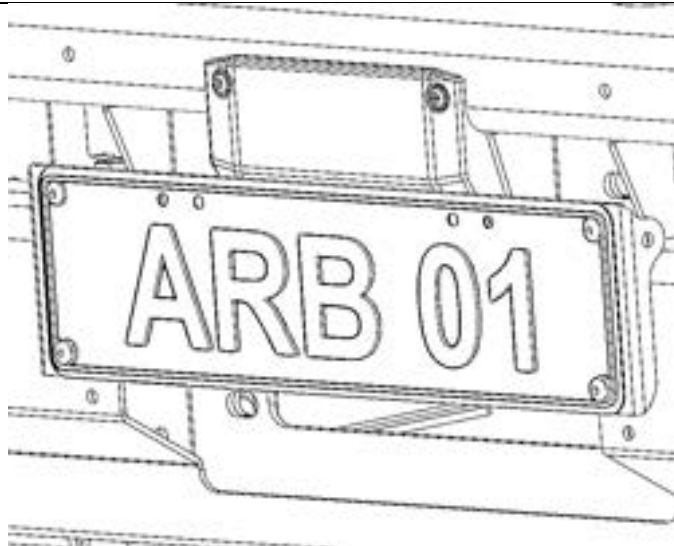
Connect  
Loom to LED  
lamp



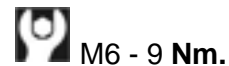
54. Connect indicator/clearance lights to the looms fitted in step 20.



55. Connect radar extension loom to radar module.



56. Fit number plate using four M6x12 Stainless Steel button head screws, four M6 flange nuts and four M6x12x1.2 Stainless Steel flat washers.



## OPTIONAL EXTRAS



### **RADIATOR GUARD AND STONE SHIELD**

The radiator guard and stone shield shown in the photo are available from ARB stores as accessories. The ARB kit number is 3512040.



### **FRONT RECOVERY POINT**

The front recovery point shown in the photo are available from ARB stores as accessories. The ARB kit number is 2812060/070.

### **FITTED PRODUCT**

#### **NOTICE: ONCE BULL BAR IS FITTED:**

- ◆ Ensure all bolts are tensioned correctly.
- ◆ All wiring is clear of sharp edges or moving surfaces and secured properly.
- ◆ Piping is secured well away from sharp or moving components.
- ◆ Check operation of winch, if fitted.
- ◆ Check all wiring and connections to turn signal lamps, fog lights, etc. are functioning correctly.

### **FITTED PRODUCT**

