

## LANDCRUISER 100 SERIES ROOF RACK

**PART No's: 3813010/10M/13/13M/20/20M, 4913010**

**FITTING KIT No: 3713010 (6 LEG RACK)**

| PART No | QTY | DESCRIPTION                     |
|---------|-----|---------------------------------|
| 6317626 | 6   | ANGLED BRACKET                  |
| 5681077 | 4   | LEG                             |
| 5681076 | 2   | NOTCHED LEG                     |
| 3193522 | 6   | BOLT PLATE                      |
| 5846272 | 6   | RUBBER SEAL                     |
| 6151263 | 6   | M8 X 20mm SOCKET HEAD CAP SCREW |
| 6151184 | 12  | M8 x 30mm SOCKET HEAD CAP SCREW |
| 4581081 | 18  | M8 FLAT WASHER                  |
| 4581094 | 18  | M8 SPRING WASHER                |
| 6151193 | 1   | ALEN KEY                        |
| 3193757 | 6   | SUPPORT PLATE                   |

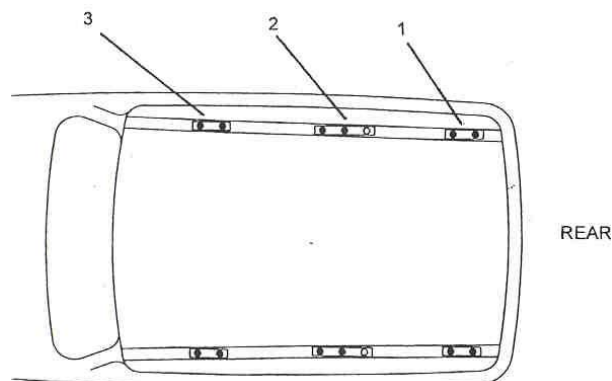
**FITTING KIT No: 3713020 (4 LEG RACK)**

| PART No | QTY | DESCRIPTION                     |
|---------|-----|---------------------------------|
| 6317626 | 4   | ANGLED BRACKET                  |
| 5681077 | 2   | LEG                             |
| 5681076 | 2   | NOTCHED LEG                     |
| 3193522 | 4   | BOLT PLATE                      |
| 5846272 | 4   | RUBBER SEAL                     |
| 6151263 | 12  | M8 X 20mm SOCKET HEAD CAP SCREW |
| 4581081 | 12  | M8 FLAT WASHER                  |
| 4581094 | 12  | M8 SPRING WASHER                |
| 6151193 | 1   | ALEN KEY                        |

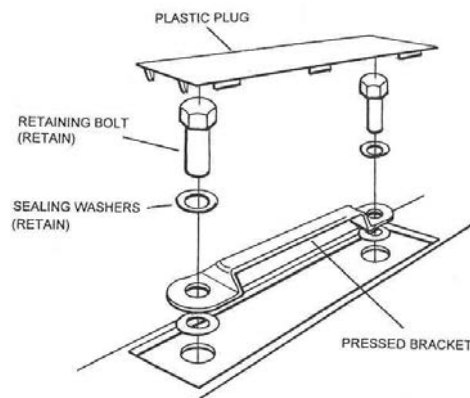
### FITTING THE ROOF RACK

- Remove the plastic plugs located in the recessed channel in the roof with a screw driver or similar tool.  
**NOTE:** Be careful not to scratch the surrounding paint work. If you are fitting a 6 leg rack, remove the plugs from the mount positions (1), (2) and (3). For a 4 leg rack, remove the plugs in positions (1) and (2). Refer to diagram 1. Underneath each of the plugs is a pressed bracket which must be removed. Retain the bolts and sealing washers located directly under the bolt heads. Refer to diagram 2.

**DIAGRAM 1**

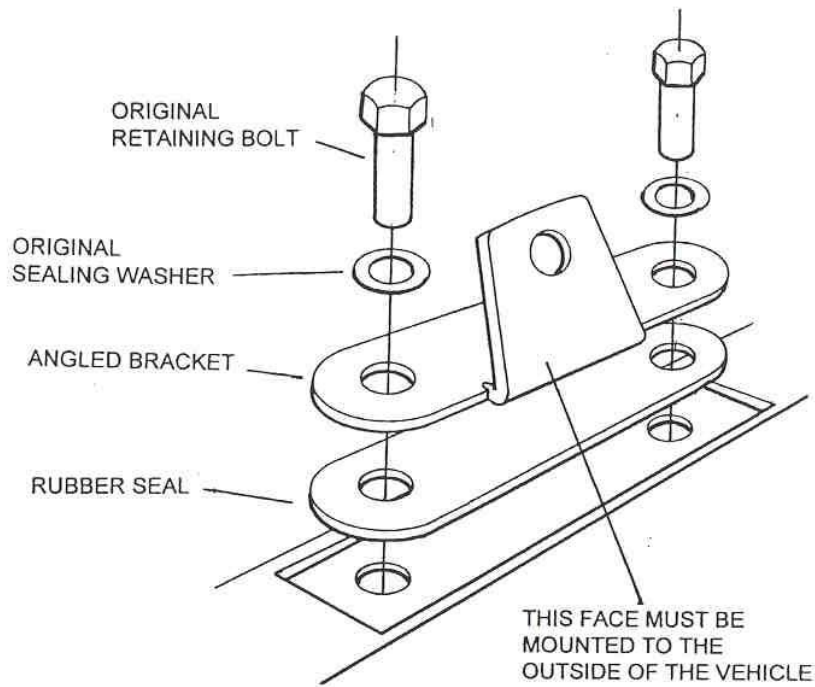


**DIAGRAM 2**



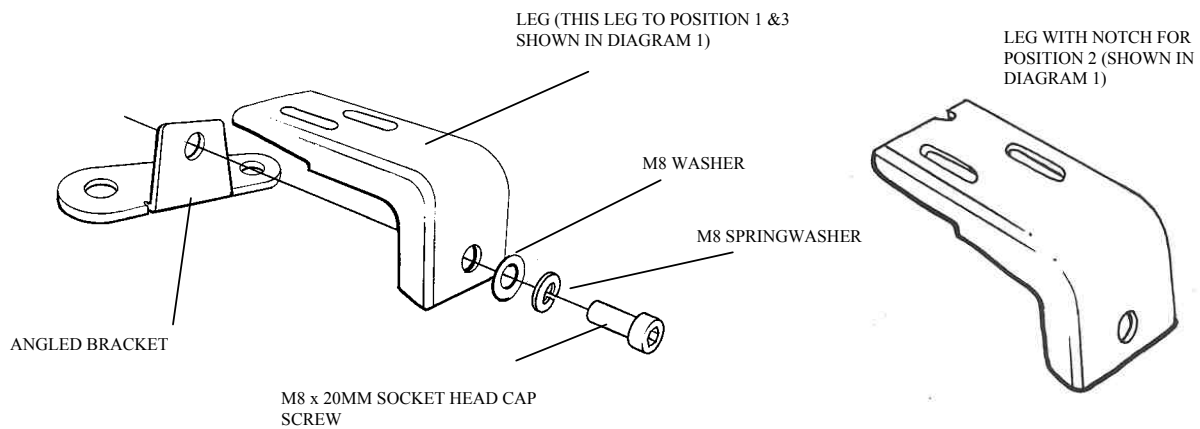
2. Bolt the angled bracket to the roof as shown in diagram 3. Tighten all bolts.

**DIAGRAM 3**



3. Bolt the legs supplied to the already fastened angle bracket. (Refer to diagram 4). Finger tighten only.

**DIAGRAM 4**



4. Using four people lift and position the cage so that the bolt brackets on the cage are positioned over the legs. Centre the cage across the vehicle width. Check this by viewing from both the front and rear of the vehicle.

5. Once the cage is in position, bolt it to the legs.

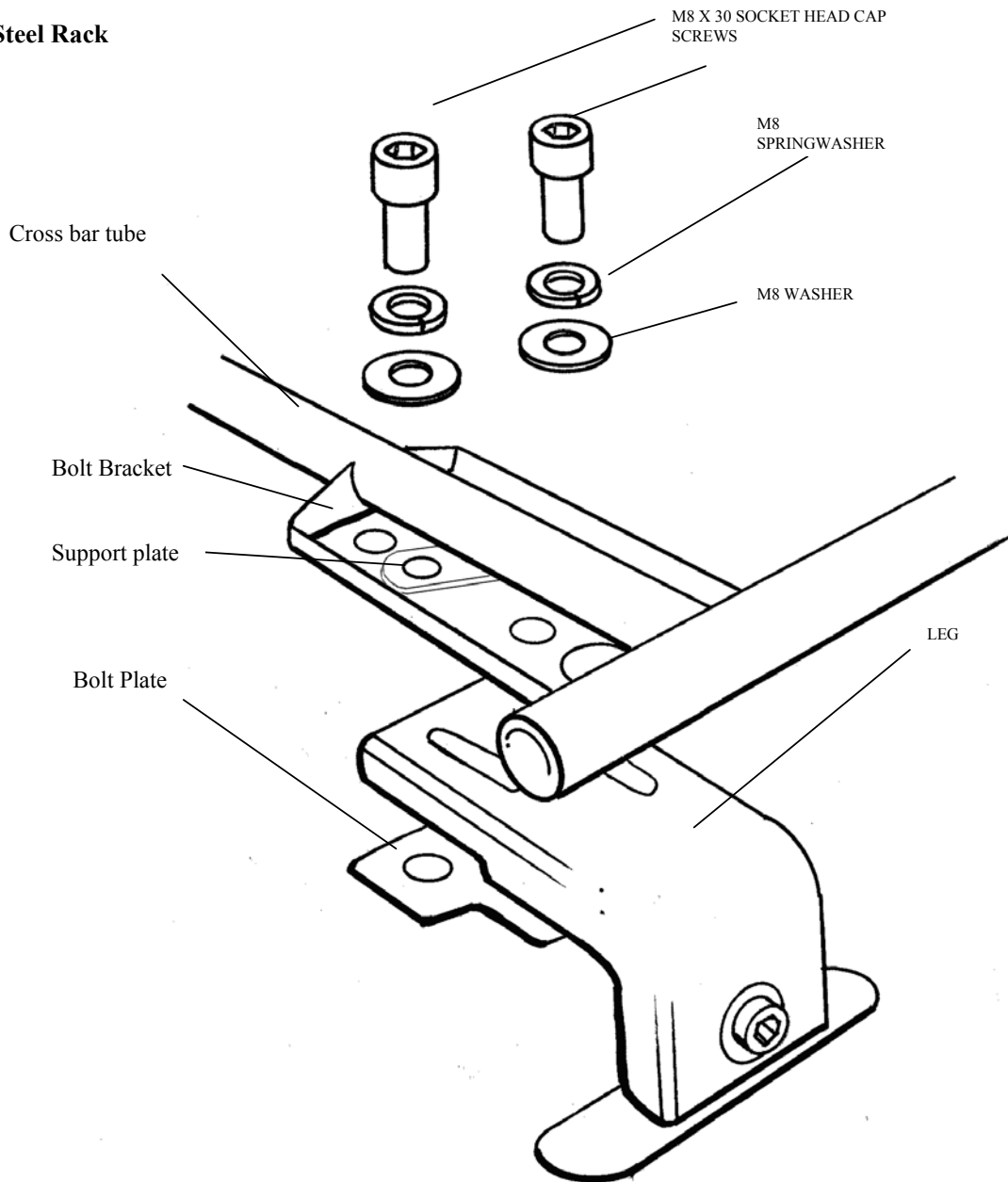
If fitting a **6 leg steel cage**, first slide the support plate between the cross bar tube and the bolt bracket on the cage, then hold the bolt plate underneath the leg and pass the bolts with washers down through the support plate, the cage and the slots in the leg. Firmly tighten the bolts. (Refer to diagram 5.)

If fitting a **4 leg cage** repeat above process without the support plate.

If fitting a **6 leg Alurack**, first place the support plate on top of the bolt bracket on the cage, then hold the bolt plate underneath the leg and pass the bolts with washers down through the support plate, the cage and the slots in the leg. Firmly tighten the bolts. (Refer to diagram 6.)

### DIAGRAM 5

#### Steel Rack



**DIAGRAM 6**

**Alurack**

